



Your 4x4 Accessory Adventure Partner.

FITTING INSTRUCTIONS

XEB-RAM-01

EFS X-CAPE BULLBAR

DODGE RAM



**ALL EFS BULL BARS HAVE BEEN TESTED AND ARE AIRBAG & ADR COMPLIANT.
ANY MODIFICATIONS TO THE BULL BAR OR ITS MOUNTS WILL VOID THIS COMPLIANCY AND WARRANTY**

BEFORE INSTALLATION

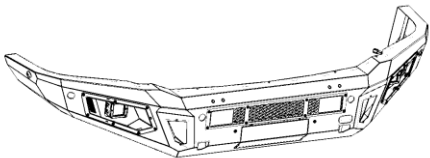
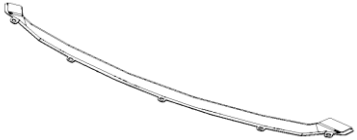
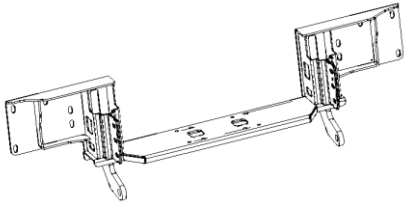

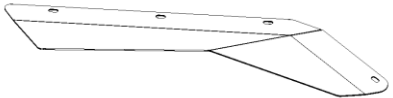
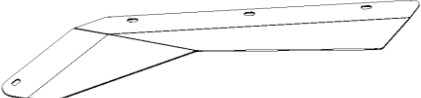
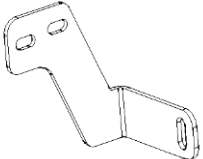
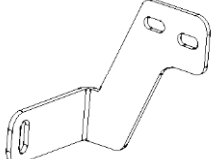
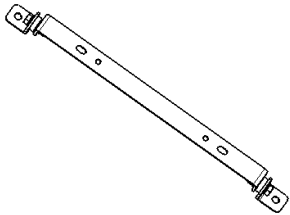
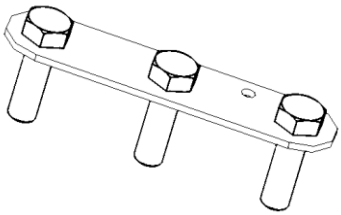
- Please read the instructions completely before installing. This will allow for easy installation and help to avoid scratches or other potential damages to the vehicle.
- Images are for reference only and may differ slightly from the actual product you are installing. Whilst images may differ, they share the same assembly instructions.

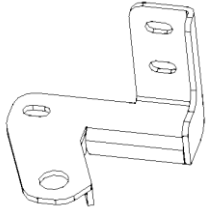
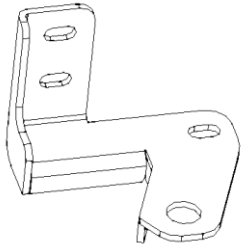

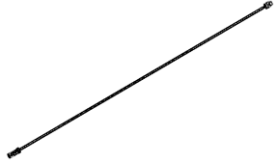

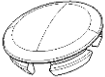
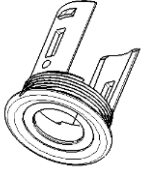


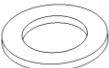

CARE & CLEANING

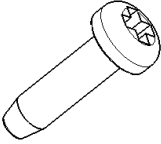


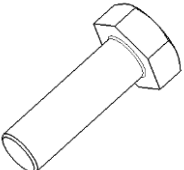
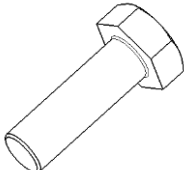


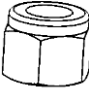



- Mild soap may be used to clean the bull bar.
- Check and retighten all the hardware regularly.



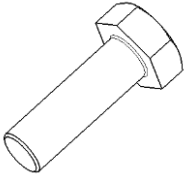



It is a condition of our warranty that Bullbar / Rearbars & Side rails / steps are installed by a suitably qualified installer. And is installed in accordance with accompanying installation instructions provided with item.

PARTS LIST

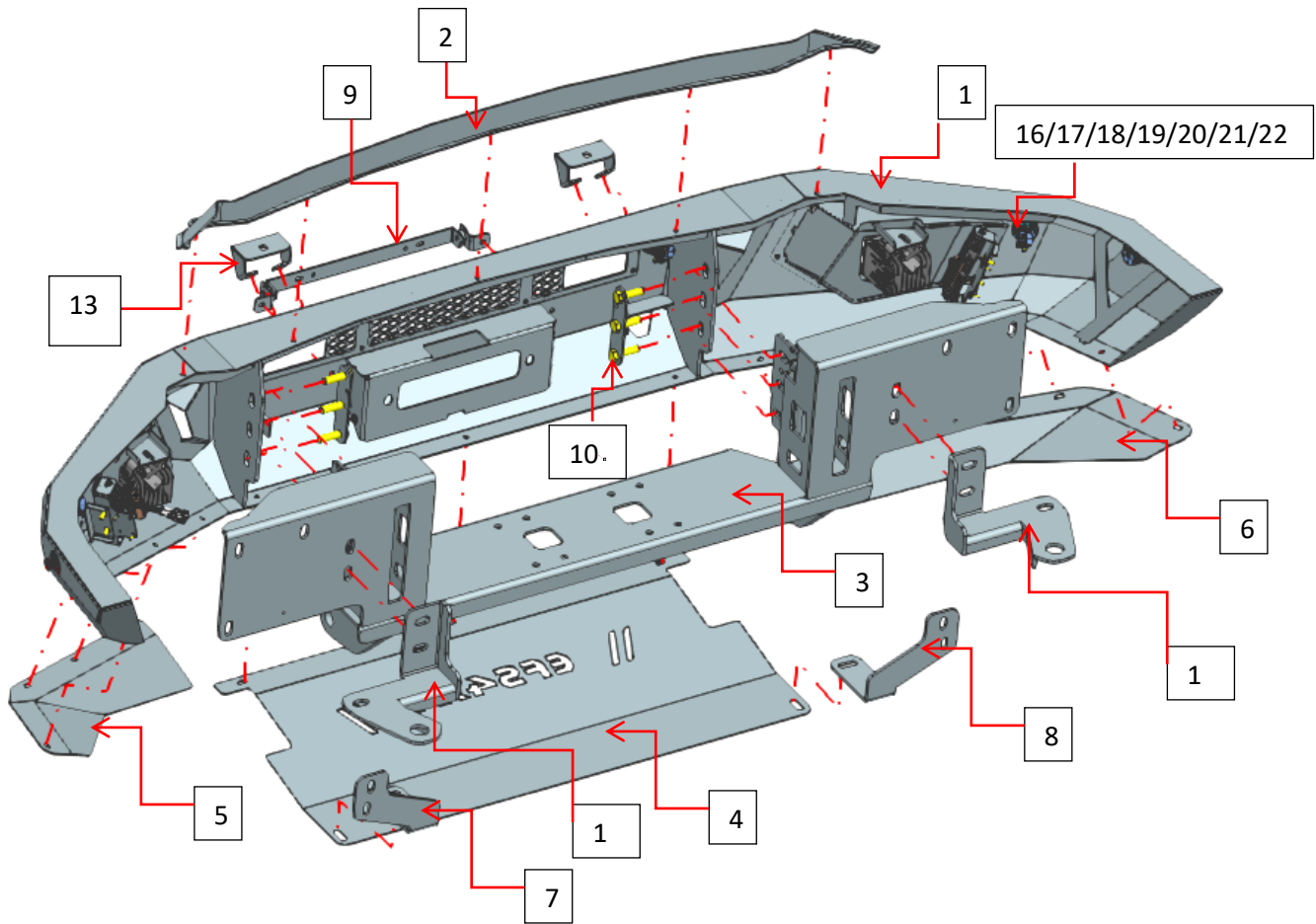
NO.	QTY	NAME	NO.	QTY	NAME
1	1	 Bull bar main body	2	1	 Centre Infill
3	1	 Winch Frame	4	1	 Central Skid Plate
5	1	 Skid Plate (L)	6	1	 Skid Plate (R)
7	1	 Skid Plate Holder (L)	8	1	 Skid Plate Holder (R)
9	1	 Foldable License Bracket	10	2	 Bolt Plate

11	1	 Support Bracket (L)	12	1	 Support Bracket (R)
13	2	 Spotlight Bracket	14	3	 Parking Sensor Extension Harness
15	1	 Wrench S=4			
Sensor relocation kits					
16	4	 Cover	17	4	 Holder
18	4	 M31x1.5 Lock Ring	19	4	 Foam Packer
20	4	 Foam Ring (D25_d15.5)	21	4	 Base

22	8	 Lock Screw ST4_15 ST4_15			
Hardware List:					
23	6	 Hex Nut M12	24	10	 Hex Lock Nut M12
25	4	 Hex bolt (full thread) M12_40	26	6	 Hex bolt(full thread) M12_50
27	6	 Spring Washer D12	28	26	 Flat Washer D12_32_3
29	4	 Hex Lock Nut M8	30	2	 Hex Screw and washer combo M8_25
31	2	 Hex flange nut M8	32	4	 Flat Washer D8(8x24x2mm)

33	13	 Hex Flange Nut M6	34	26	 Dome head bolt and Washer M6
35	2	 Hex bolt (full thread) M14_50			
Foldable License Bracket hardware list					
36	8	 Flat Washer D4(4x8.65x0.8mm)	37	4	 Hex Nut M4
38	4	 Pan Head Bolt M4_16			

INSTALLATION FIG.



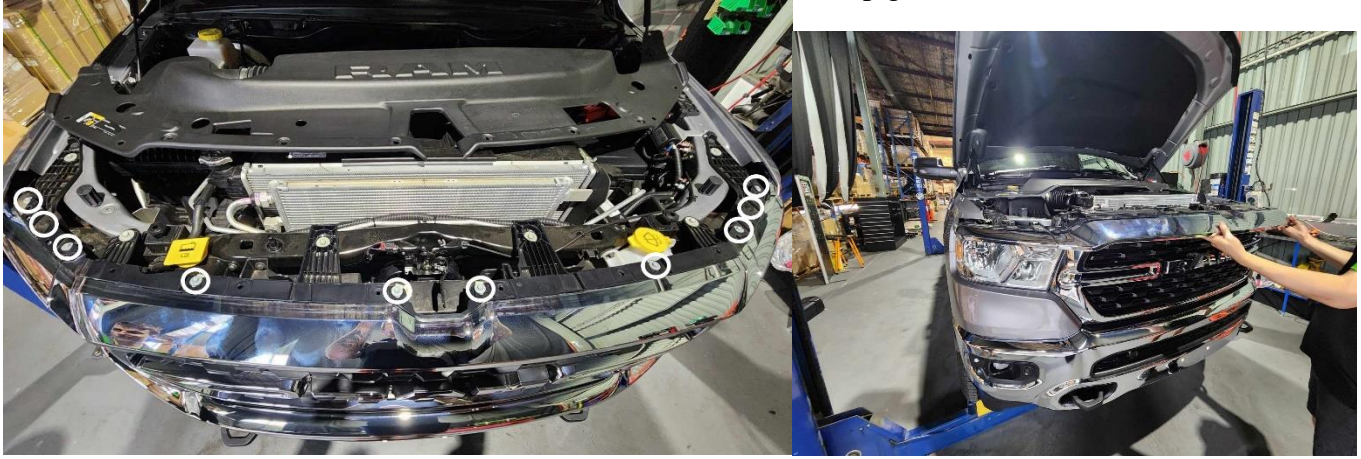
INSTRUCTIONS

Step 1: Park vehicle on level surface. Open bonnet.

Step 2: Remove 12 x plastic clips and remove top cover.

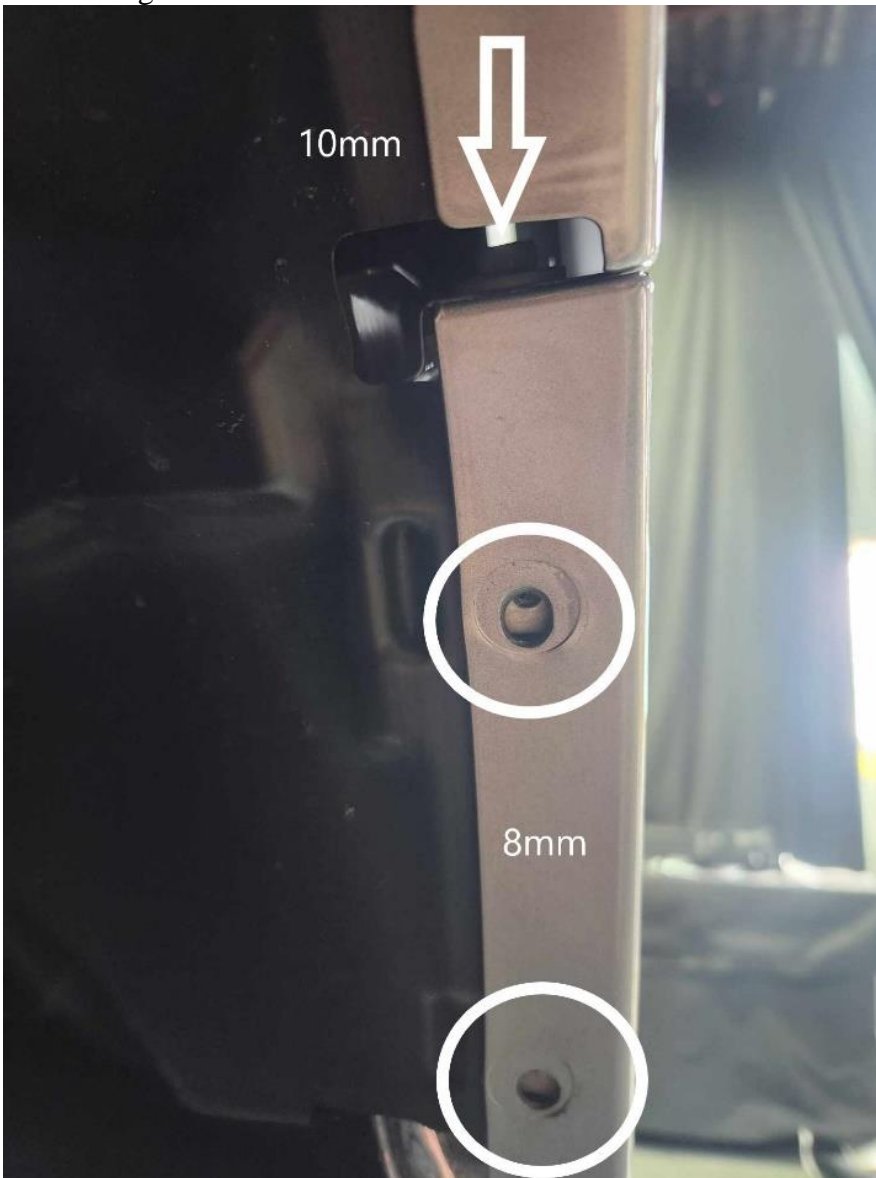


Step 3: Remove 8 x 8mm bolts and 2 x plastic clips and remove top grille cover.



Put top cover and top grille trim aside.

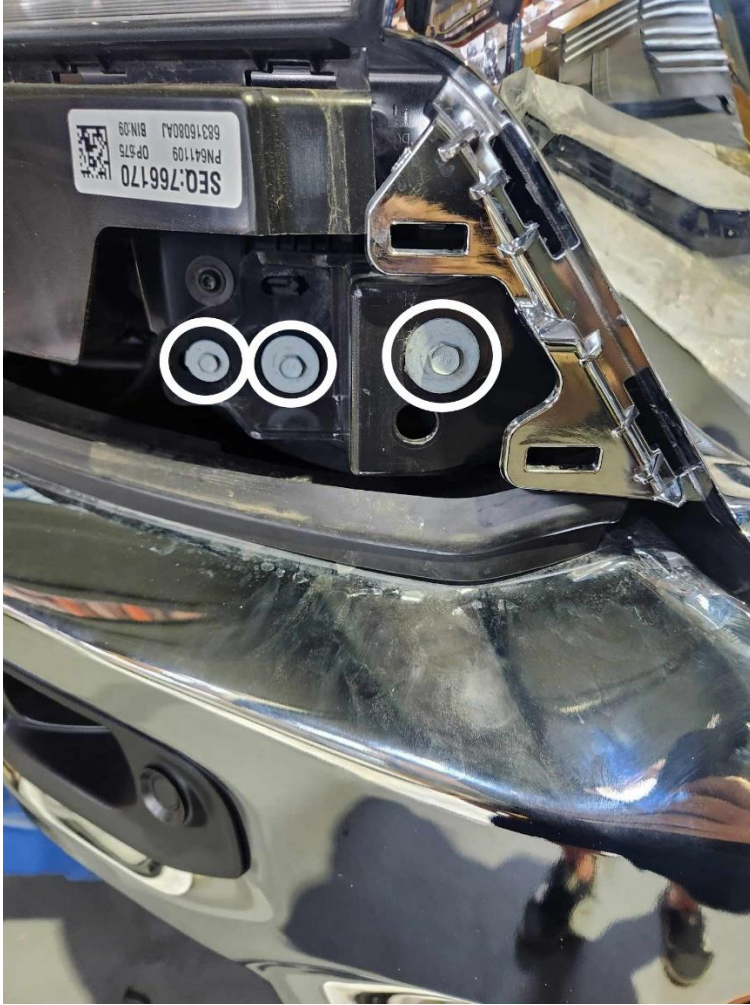
Step 4: In the wheel arch. Remove 2 x 8mm bolts and 1 x 10mm bolts and remove trim under headlight. Left and right are the same.



Step 4a: Use plastic trim tool to push tabs down to unclip trim. Start from the grille end.



Step 5: Remove 2 x 10mm and 1 x 8mm bolts from under where trim was removed.



Step 6: Remove Grille and put aside.

Step 7: Remove 5 x 8mm bolts and remove lower inner guard. Left and right sides are the same.



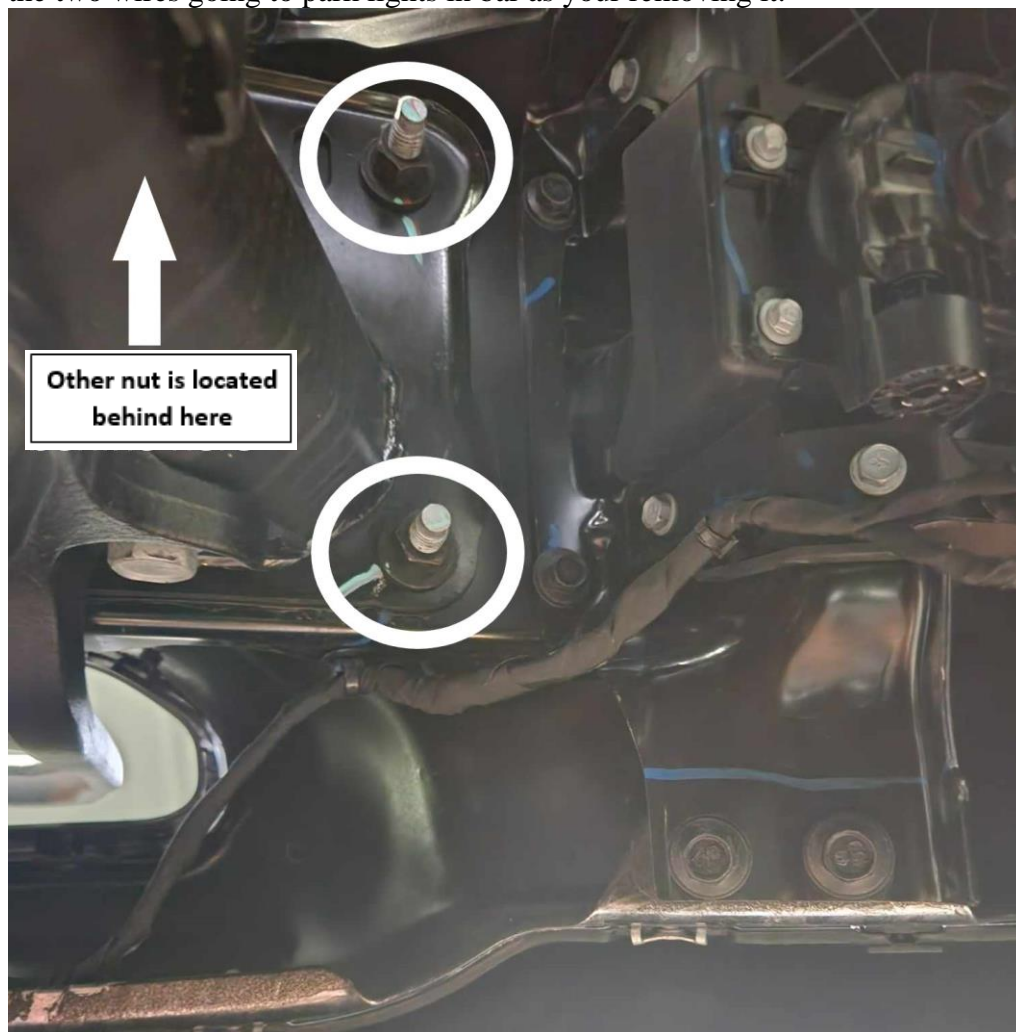
Step 8: From underside of vehicle. Remove 2 x 13mm bolts from each end of the air dam. Unplug wiring from motor on air dam and remove.



Step 9: Unplug main harness going to bumper bar.



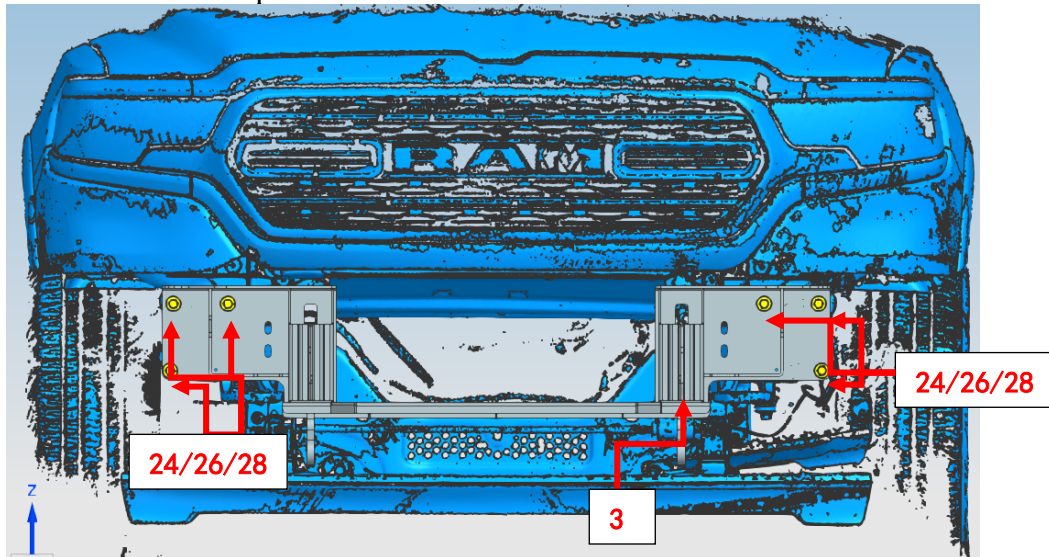
Step 10: Remove 3 x 18mm nuts from each side and remove bottom bumper bar. You will need to unplug the two wires going to park lights in bar as your removing it.



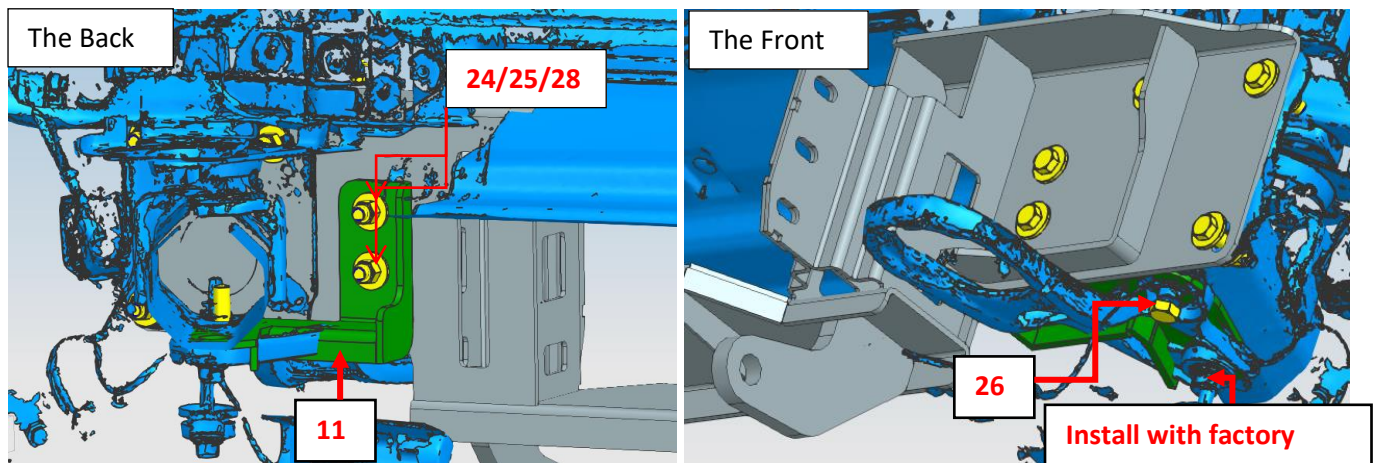
Step 11: Remove 1 x 18mm and 1 x 21mm from tow hooks and remove.



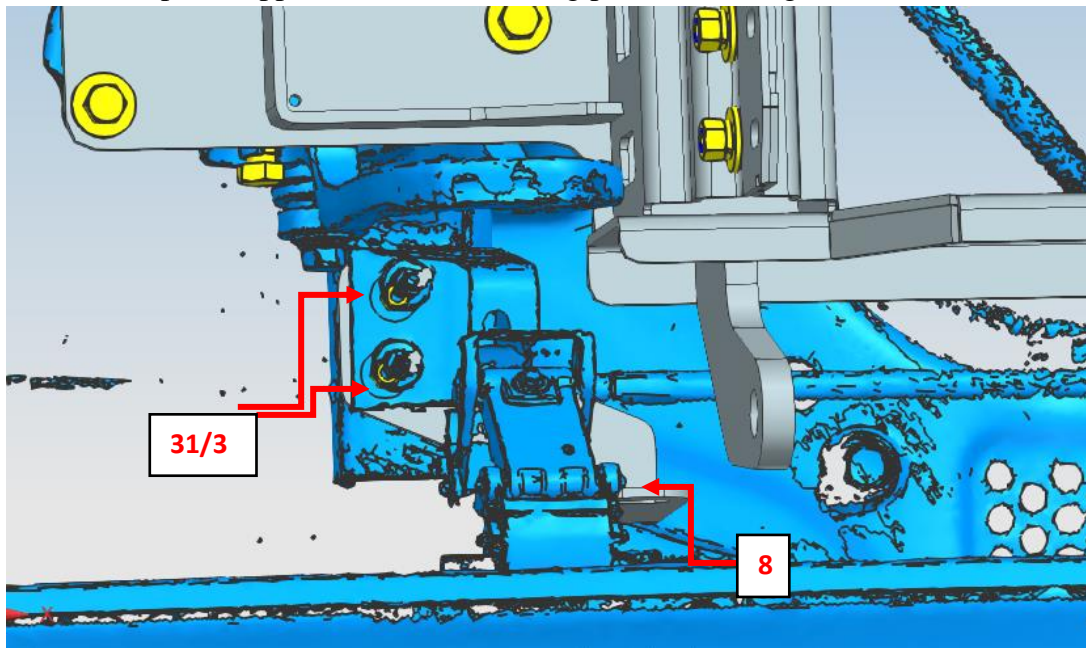
Step 12: Install winch frame with required hardware as shown.



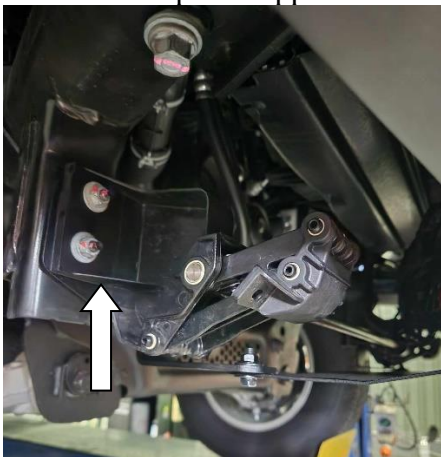
Step 13: Fit left and right support brackets to backside of winch frame with required hardware. These will also attach where tow hooks were removed from and use original bolt.



Step 14: Install the skid plate support brackets, following picture is the right side, the left side is the same.



The plastic fin on the air dam needs to be removed and the rest of the assembly and is to be installed with the skid plate support brackets.

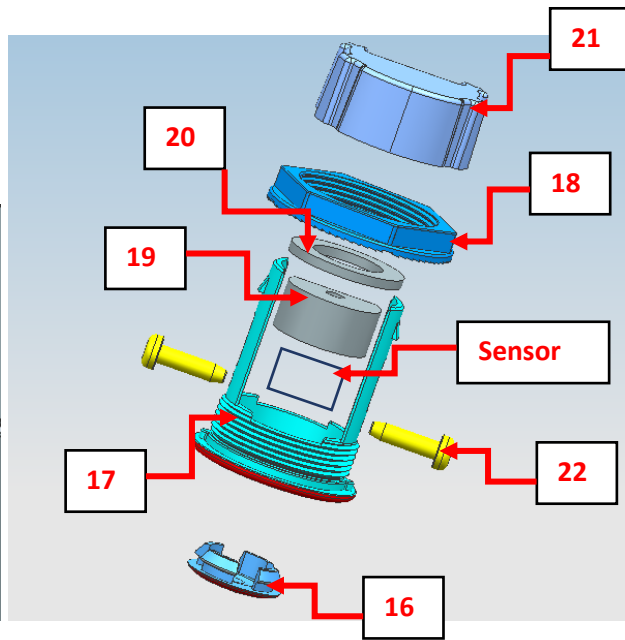
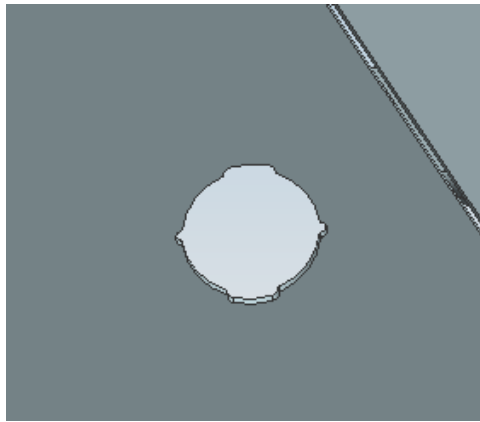


Step 15: Centre winch frame and tighten hardware.

If you are installing a winch. Proceed with this before moving ahead.

Step 16: Remove wiring harness from bumper bar. Cut off original fog light plug and solder the plug on that comes with the fog lights in the EFS bull bar.

Step 17: Install the six sensor holders into the bullbar and fit the sensors from the original bullbar. Assembly of the sensor holder can be seen below.



Step 18: Install the wiring harness onto the EFS bullbar using cable ties and connect the plug into the parking sensors and fog lights.

Step 19: Cut plug off the original parking light wire on vehicle and connect harness from park indicator light on the EFS bullbar.

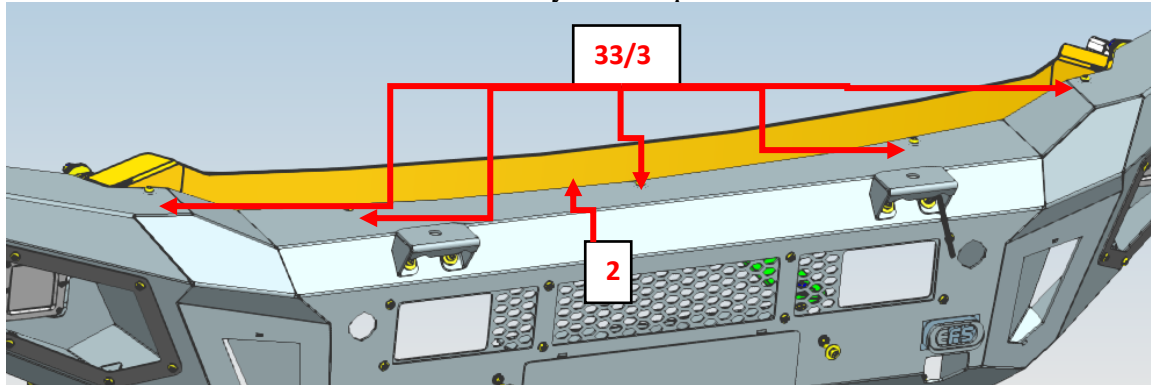
Red wire (On Bullbar) to white brown wire (On Vehicle)

Black wire (On Bullbar) to black wire (On vehicle)

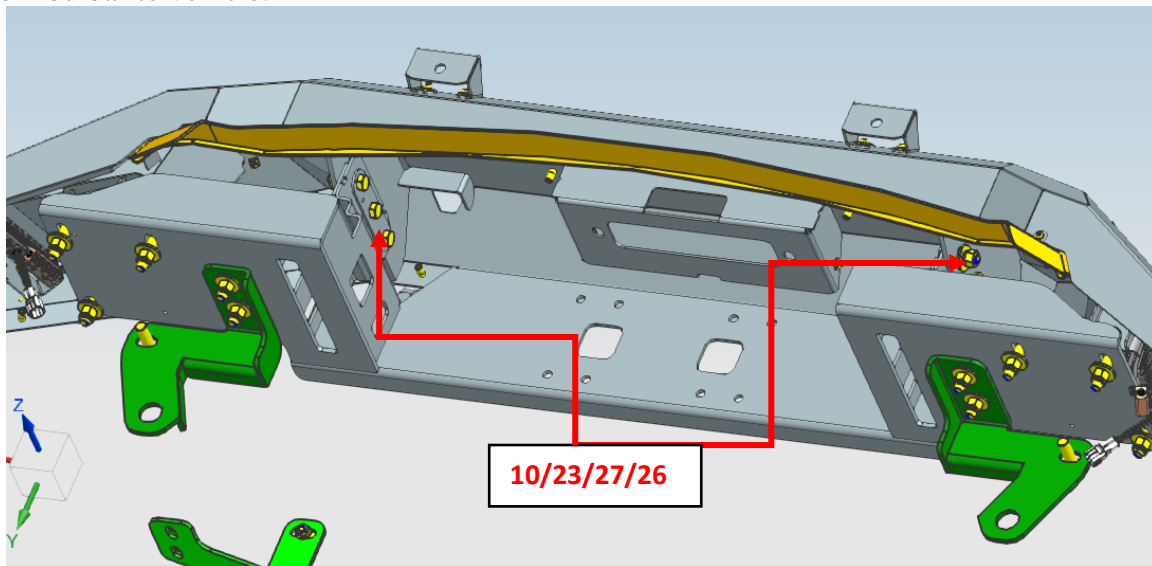
Yellow wire (On bullbar) to white silver from plug on back of headlight on the vehicle.



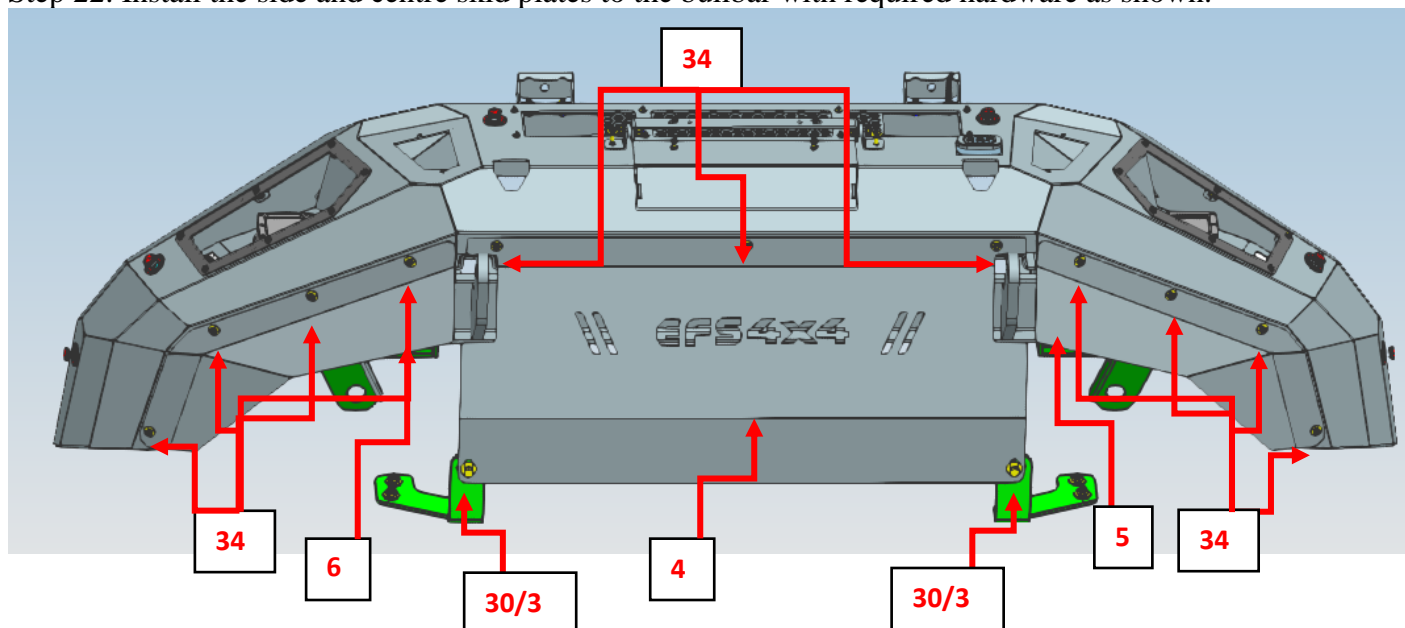
Step 20: Attach centre infill to main bullbar assembly with required hardware as shown.



Step 21: Attach main bullbar assembly to the winch frame with the required hardware as shown. Connect wiring from bulbar to vehicle.

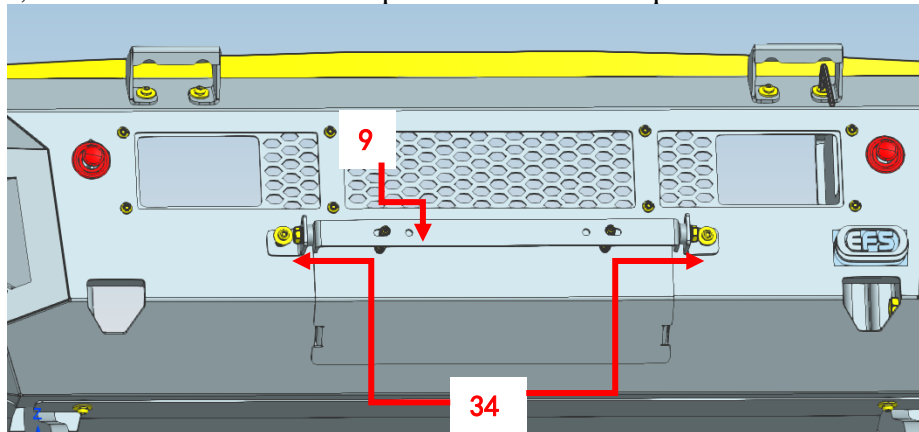


Step 22: Install the side and centre skid plates to the bullbar with required hardware as shown.





Step 23: If required, Install the foldable licence plate bracket with required hardware as shown.



Your bulbar fitting is complete.

NOTE

Any damages or loss caused by the improper installation and use of EFS Accessories will not be covered by warranty.

Please ensure you leave sufficient spacing between bullbar and guards.