



## Ford Ranger/Raptor Next Gen RA 2022 on Scout Roof Rack FITTING INSTRUCTION

### IMPORTANT! – READ BEFORE INSTALLATION

- Rated to 95kg driving and 190kg sitting still- Rack weight is 15kg- Offroad Rating is 63kg so minus the 15kg rack means you're allowed to put 48kg up there
- This product must be installed exactly as per these instructions using only hardware supplied.
- Take a few moments to read instructions thoroughly before beginning work.
- In the event of damage to any bar component please contact OFFROAD ANIMAL to arrange repair/replacement of components.
- Do not use this product for any vehicle make or model other than that specified on these instructions.
- Do not remove labels from this product.
- This product and its fixings must not be modified in any way unless stated in these fitting instructions.
- The installation of this product is recommended for trained personnel.
- These instructions are correct at time of publication. OFFROAD ANIMAL cannot be held responsible for the impact of any changes subsequently made by the vehicle manufacturer. If you find something has changed, please contact us to let us know!
- During installation it is the duty of the installer to check correct operation/clearances of all components.
- If Instructions are to be printed for reference in the workshop, it is recommended that they are printed in colour, for best legibility.
- **We have a very detailed YouTube video showing how to do this entire procedure, which can be found here <https://youtu.be/GQC-iWNTH> o**

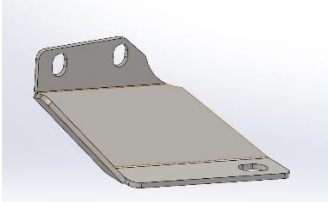
## PARTS LISTING

**IMPORTANT:** Check all parts are present before beginning work! Contact OFFROAD ANIMAL if something is missing.

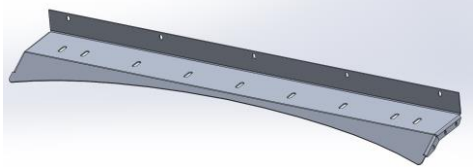

### Main Parts – In the Box

Qty	Part Number	Description	Image
5	E-0005 - 1200	Scout Roof Rack – Cross Bar Extrusion 1200MM	
1	B-0769L	Roof Rack Side Rail - Ranger	
1	B-0769R	Roof Rack Side Rail - Ranger	
1	B-0808	Roof Rack No Light Wind Deflector - Ranger	
1	B-0770L	Next Gen Front Pad LH	
1	B-0770R	Next Gen Front Pad RH	
1	B-0771L	Next Gen Rear Pad LH	



<b>1</b>	B-0771R	Next Gen Rear Pad RH	
----------	---------	----------------------	--

### Optional Light Bar Kit – Purchased Separately

Qty	Part Number	Description	Image
<b>1</b>	B-0809	Roof Rack Light Bar Wind Deflector - Ranger	
<b>5</b>	M8 X 12 BHCS BZP	SCREW, BUTTON HEAD CAP, M8X12X1.25 GR12.9 BLACK ZP	



## Small Parts – Contained in Small Parts Kit Bag

QTY.	PART NO.	DESCRIPTION
31	M8 X 16 BHCS BZP	SCREW, BUTTON HEAD CAP, M8X16X1.25 GR12.9 BLACK ZP
11	M8 X 12 BHCS BZP	SCREW, BUTTON HEAD CAP, M8X12X1.25 GR12.9 BLACK ZP
6	M8 x 20 BHCS BZP	SCREW, BUTTON HEAD CAP, M8X20X1.25 GR 12.9 BLACK ZP
7	M6 FLANGE NUT	Flange Nut, M6x1 G8.8 ZP
8	M6 FLAT WASHER BLACK ZINC	M6 FW BLACK ZP
7	M6x25 BHCS BLACK ZINC	SCREW, BUTTON HEAD CAP, M6X20X1 GR12.9 BLACK ZP
20	M8 Nut	Hex Nut, M8x1.25 G8.8 ZP
48	M8 FLAT WASHER- BLACK ZINC	M8 FW- BLACK ZINC
6	M8 FN	M8 Flange Nut
4	M10 x 25	Hex Bolt, M10 x 25, zp gr 8.8
8	M10 FW	Flat Washer, M10
4	M10 NY	Nyloc Nut, M10
2	OFA-LOGO	OFFROAD ANIMAL METAL LOGO



# TOOLS REQUIRED

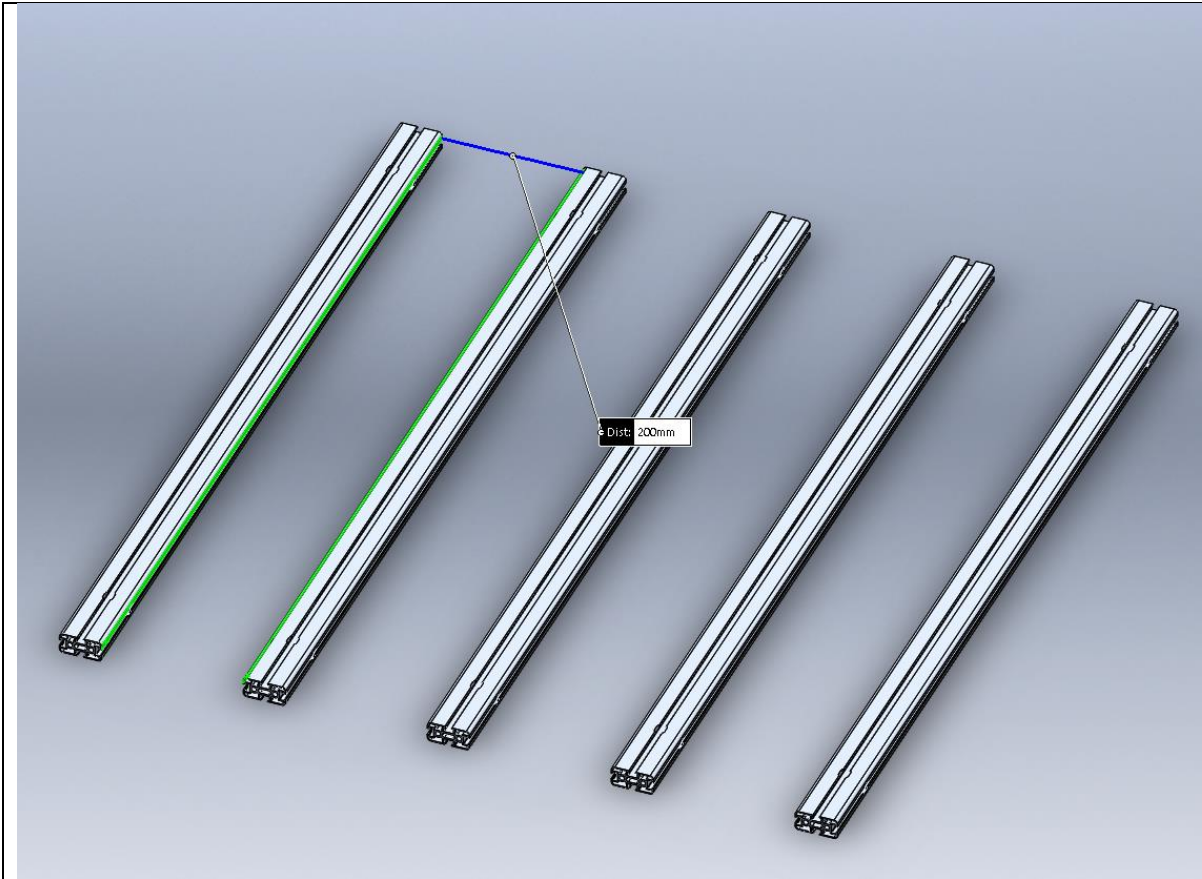
The following tools will be required to install the product. Note Extra Tools will be required for fitment of track kit. Refer to track kit

<b>Hand Tools</b>	<b>Power Tools</b>	<b>Workshop Supplies</b>
Metric Socket Set 8-19mm Socket Extension Bar Metric Spanner Set 10-19mm Hex (Allen) Key Set 4-6mm Box Cutter or side cutters Trim tool or flat head screw driver		Soft Blanket Adhesive silicone Isopropyl Alcohol

## WORKSHOP SAFETY

It is the responsibility of the installer to always complete works in a safe manner. Make sure the following safety equipment is available and precautions are observed whilst fitting this product.

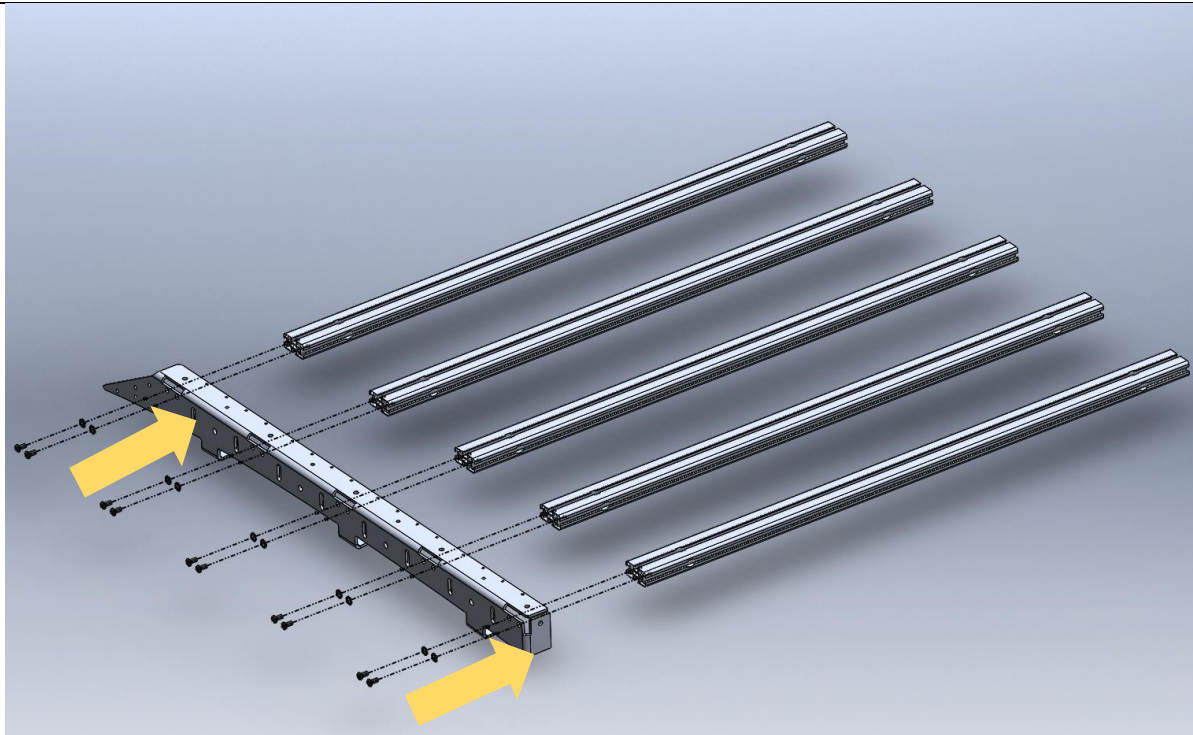
<p>Hearing Protection</p> 	<p>Always wear ear protection when using power tools.</p>
<p>Eye Protection</p> 	<p>Ensure eye protection is always worn when cutting or drilling.</p>
<p>Manual Handling</p> 	<p>Do not attempt to lift bar assemblies or rock sliders on your own.</p> <p>Always use two people to lift or use mechanical Lifting aid such as hydraulic lifting trolley.</p>
<p>Vehicle Support</p> 	<p>Always ensure vehicle is properly supported when working on it. Do not attempt to fit products whilst suspension work is being carried out. Do not work under a vehicle supported only by a jack.</p>



1. First thing is to Assemble the roof rack. Start by setting out the 5 extrusions on a table. Position them so they sit approximately 240mm apart.

**TOOLS REQUIRED**

**FASTENERS**



2. Fit the side rail to the extrusion,

This is easiest to do when the ends of the extrusions are hanging over the edge of a table / workbench. Leave all these bolts loose at the moment

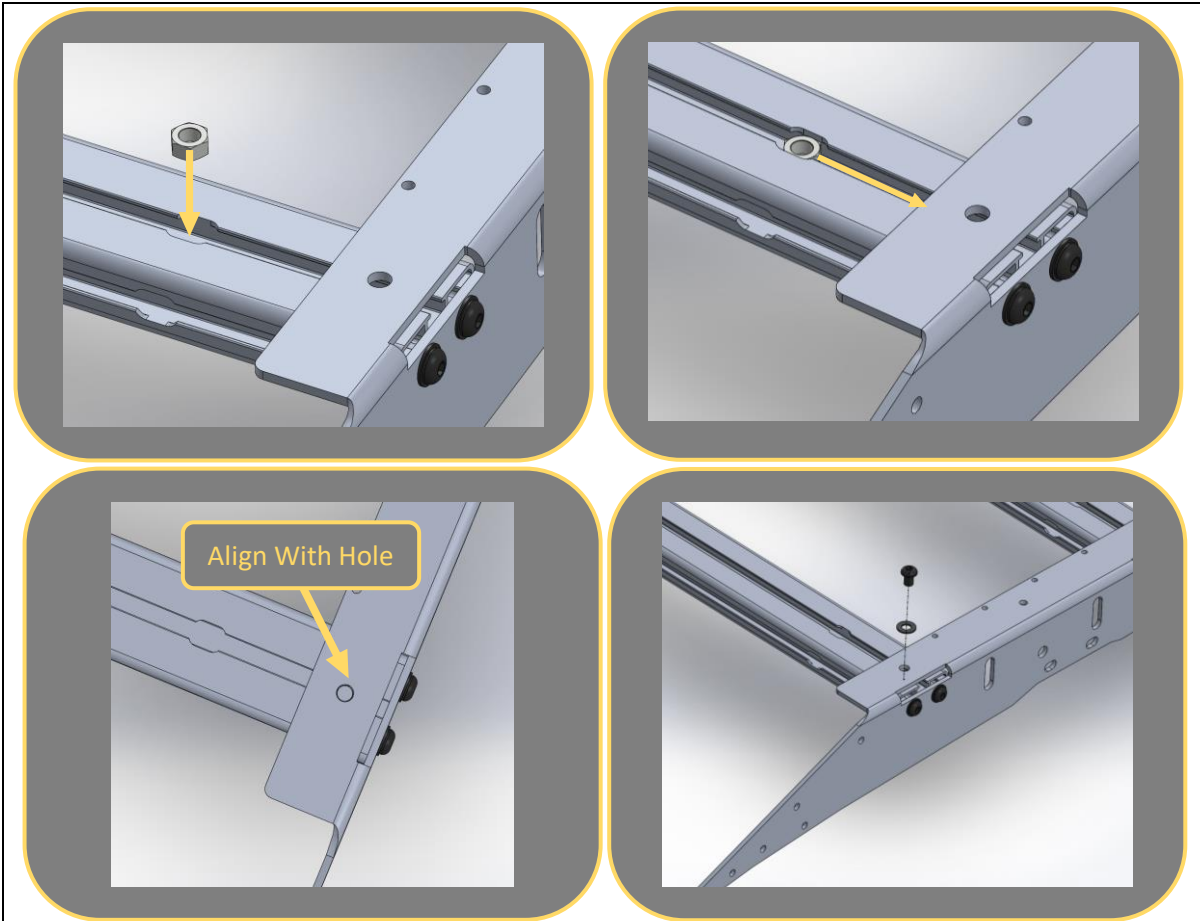
3. Secure using M8x16 Button Head bolts through the side face into the Tapped holes on the side face of the extrusion.
4. Complete steps 3 through 5 for the other side of the rack assembly to fit the other side rail.

**TOOLS REQUIRED**  
5MM Hex Key

**FASTENERS**

10x M8x16 Button head bolt.  
10x M8 Flat Washer



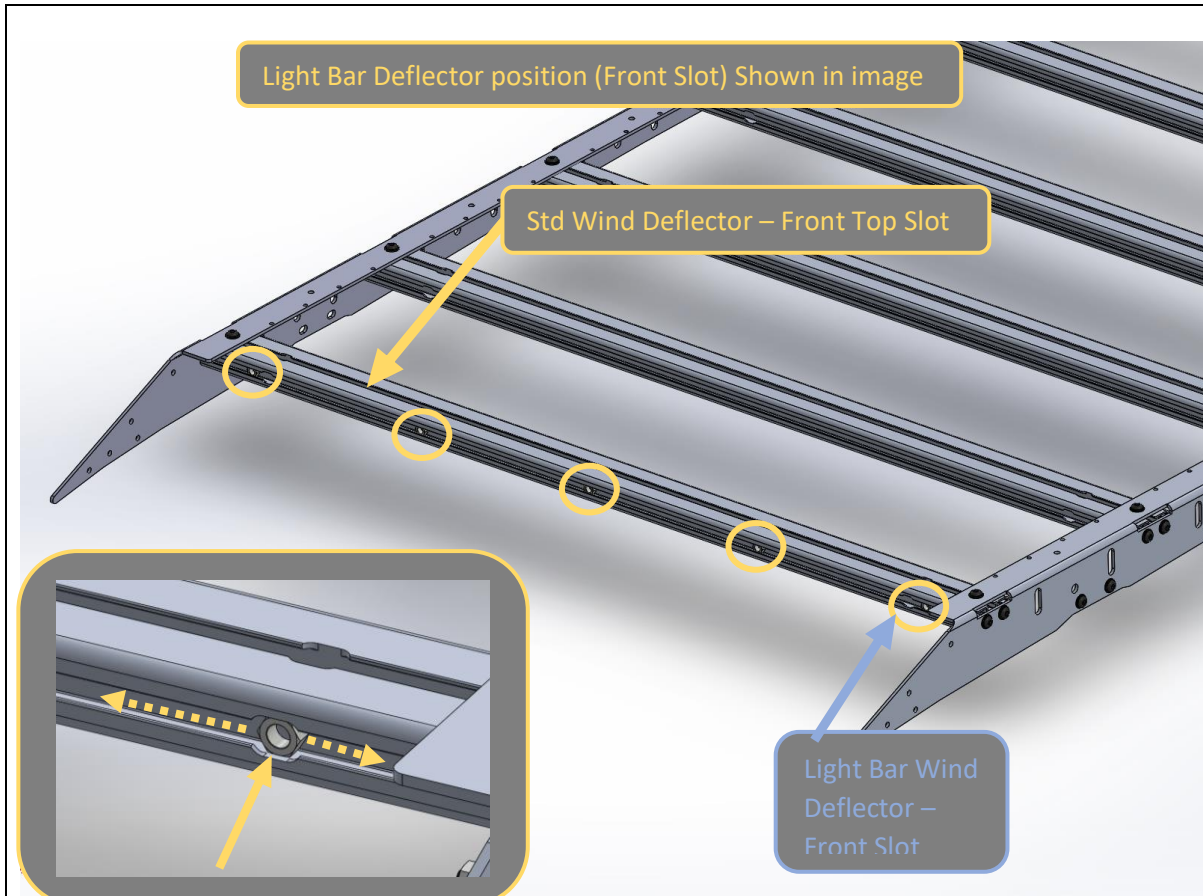


5. Insert M8 Nut into each track for securing top face of side rail.
6. Drop nut into slot in extrusion, then slide nut sideways in slot and align with hole in the side rail.
7. Secure with M8x12 Bolt + Flat Washer.
8. Complete steps 6 through 9 for the other side of the rack assembly to fit the other side rail leaving all bolts loose at the moment

**TOOLS REQUIRED**  
**5MM Allen Key**

**FASTENERS**  
5x M8 Nuts  
5x M8x12 Button head bolt  
5x M8 Black Washer

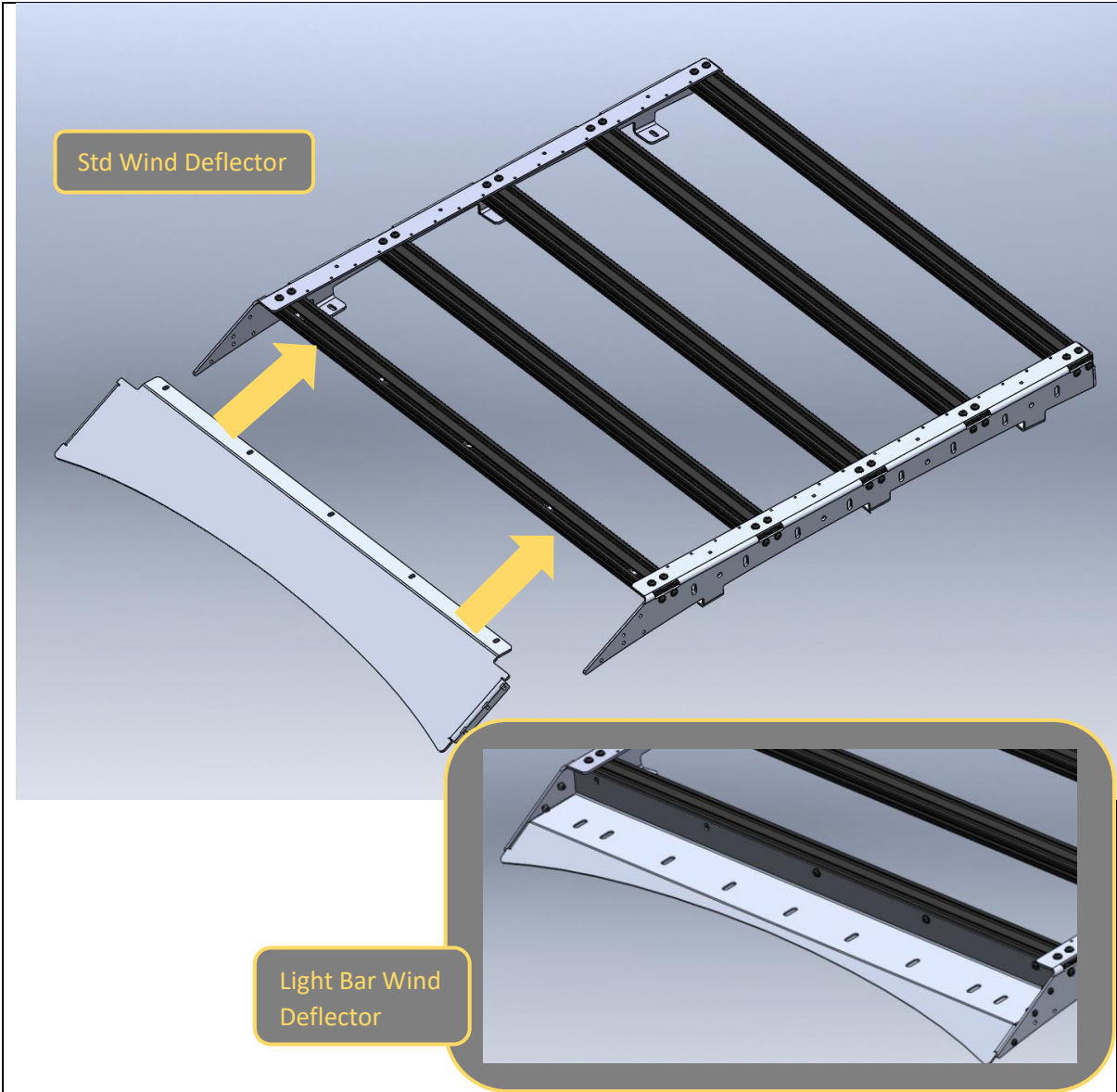
Per Side



9. If fitting the standard wind deflector fit the 5x M8 in nuts to the top front slot of the front most extrusion member.
  
10. Move nuts side to side using screwdriver to move nuts into correct positions. The spring detent should hold the nut in position.
  
11. If fitting the optional light bar wind deflector, fit the drop in nuts to the front slot of the front first extrusion member.

**TOOLS REQUIRED**  
Screwdriver

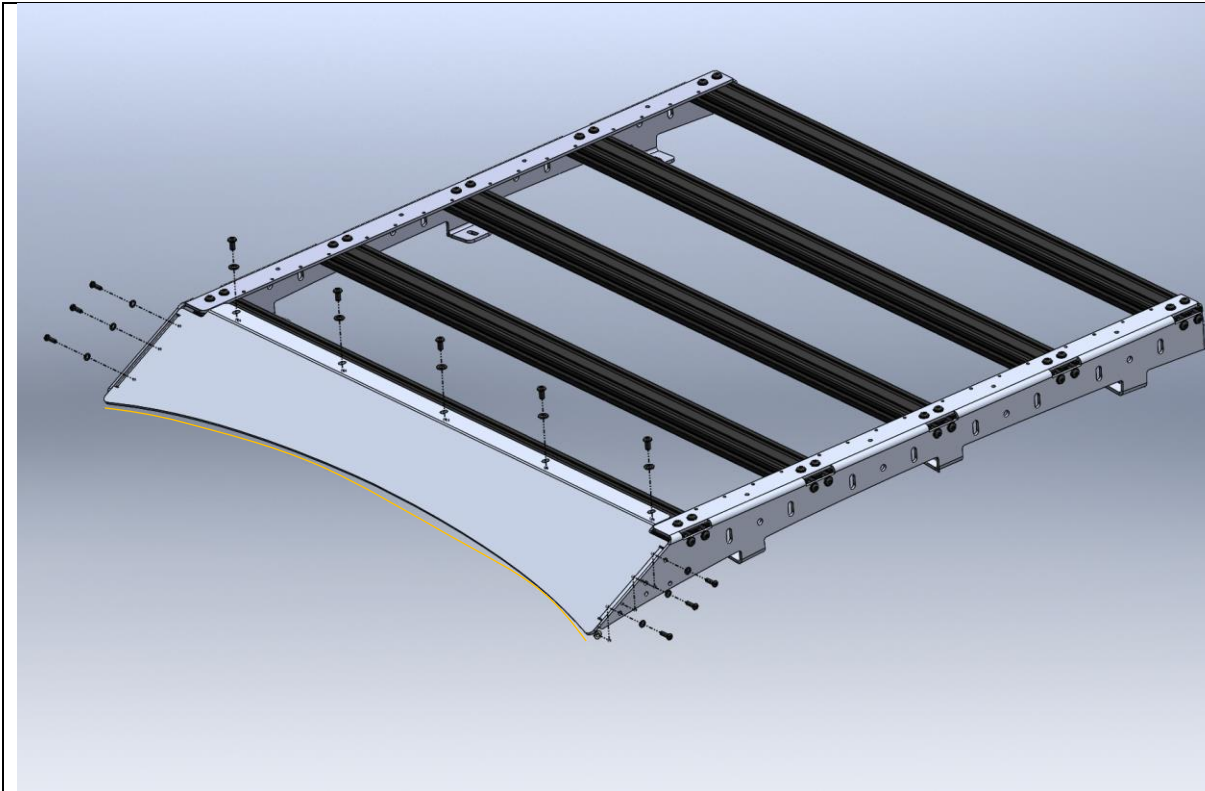
**FASTENERS**  
5x M8 Nuts



12. Fit the wind deflector to the rack assembly. The deflector should sit inside the side rails and on top of (Standard type) or in front (Light bar type) the first extrusion member. Leave the wind deflector bolts loose at the moment.

**TOOLS REQUIRED**

**FASTENERS**



13. Secure the wind deflector to the extrusion with M8x16 button head bolts and Flat washers into the nuts in the front extrusion.

14. You can leave the Side M6 bolts off for now

**TOOLS REQUIRED**

5mm Hex Key

**FASTENERS**

5x M8x16 Button head bolt  
5x M8 Flat Washer



15. Start with the grab handles in the front seats on the A pillar. Remove both by using a trim tool or flat head screwdriver to remove the cover for each screw, then remove each screw with a 6mm Socket

**TOOLS REQUIRED**

6mm Socket  
Flat head screw driver or trim tool

**FASTENERS**





16. Next is to remove the sun visors.
17. Start with the retaining clip side and peel back the screw cover with a trim tool or flat screwdriver.
18. Then Remove screw with T20 torx bit

**TOOLS REQUIRED**

Flat head screw driver or trim tool  
T20 Torx bit

**FASTENERS**



19. Using Trim tool or screwdriver, peel cover from inside of car and with split line in middle pull cover away from visor
20. Remove 2 screws per visor with T20 Torx bit and then remove sun visor. Repeat for other side

**TOOLS REQUIRED**  
Flat Head screw driver/ Trim tool  
T20 Torx bit

**FASTENERS**



21. Remove A pillar trim by gently tugging from the top of the panel.
22. Take Car with wire in the bottom connected to speaker

**TOOLS REQUIRED**

**FASTENERS**





23. Unplug the harness for the speaker and remove the trim panel
24. Repeat for other side

**TOOLS REQUIRED**

**FASTENERS**



25. Using trim tool peel covers from inside of handle to reveal screws.
26. Remove screws with T30 Torx bit
27. Remove handle.
28. Repeat for other side

**TOOLS REQUIRED**

**Trim Tool/ Flat head screwdriver  
T30 Torx bit**

**FASTENERS**



29. Open Sunglasses holder and gently pull console down from rear, then move your hands to the middle once the back clips give and pull from the middle.
30. Unplug all electrical harnesses
31. Remove Top console

**TOOLS REQUIRED**

**FASTENERS**

- 6xM8x20 Bolt
- 6xM8 Flat washer



32. Using a T20 torx bit remove 2 screws shown.

**TOOLS REQUIRED**  
**T20 Torx bit**

**FASTENERS**



33. Pop top cover off to reveal bolt
34. Use a T50 Torx bit to remove the front seat belt bolt. Let the seatbelt hang.
35. Remove Handle right behind seat belts with 6mm socket.
36. Repeat for other side

**TOOLS REQUIRED**  
**Flat Head screw driver/ Trim tool**  
**T50 Torx bit**  
**6mm Socket**

**FASTENERS**



- 37. Remove rear handles above head as per the front.
- 38. Repeat for other side

**TOOLS REQUIRED**  
Flat Head screw driver/ Trim tool  
T30 Torx bit

**FASTENERS**





39. Grab top of B Pillar and release clips holding it in place
40. Work your way down the top panel till all clips are released.
41. Release top clips for bottom panel which overlaps the top.
42. Remove top B pillar panel.
43. Repeat for other side

**TOOLS REQUIRED**

**FASTENERS**



44. Peel rubber seal from sides and top of each 4 doors.

**TOOLS REQUIRED**

**FASTENERS**



<p>45. Using Trim tool or flat head screwdriver to release retaining clip for rear hooks, remove retaining clip.</p> <p>46. Remove hook by rotating forward and pulling down.</p> <p>47. Repeat for other side</p>	<p><b>TOOLS REQUIRED</b> Flat Head screwdriver/ Trim tool</p>
	<p><b>FASTENERS</b></p>



- 48. Fold rear seat back down
- 49. Using trim tool or flathead screwdriver release the top cap on the rear seat belts then lift off

**TOOLS REQUIRED**  
**Flat Head screw driver/ Trim tool**

**FASTENERS**



50. Using T25 Torx bit, remove both rear rubber bump stops

**TOOLS REQUIRED**  
**T25 Torx bit**

**FASTENERS**



51. Peel centre seat belt cover by pulling top away from the rear bulkhead

**TOOLS REQUIRED**

**FASTENERS**



52. Remove rear trim panel just below window.  
Grab one side and work your way to the other  
gently pulling to release all the clips

**TOOLS REQUIRED**

**FASTENERS**



53. Time to remove the outside trim panels, start with the lower one and peel just the top away.

**TOOLS REQUIRED**

**FASTENERS**

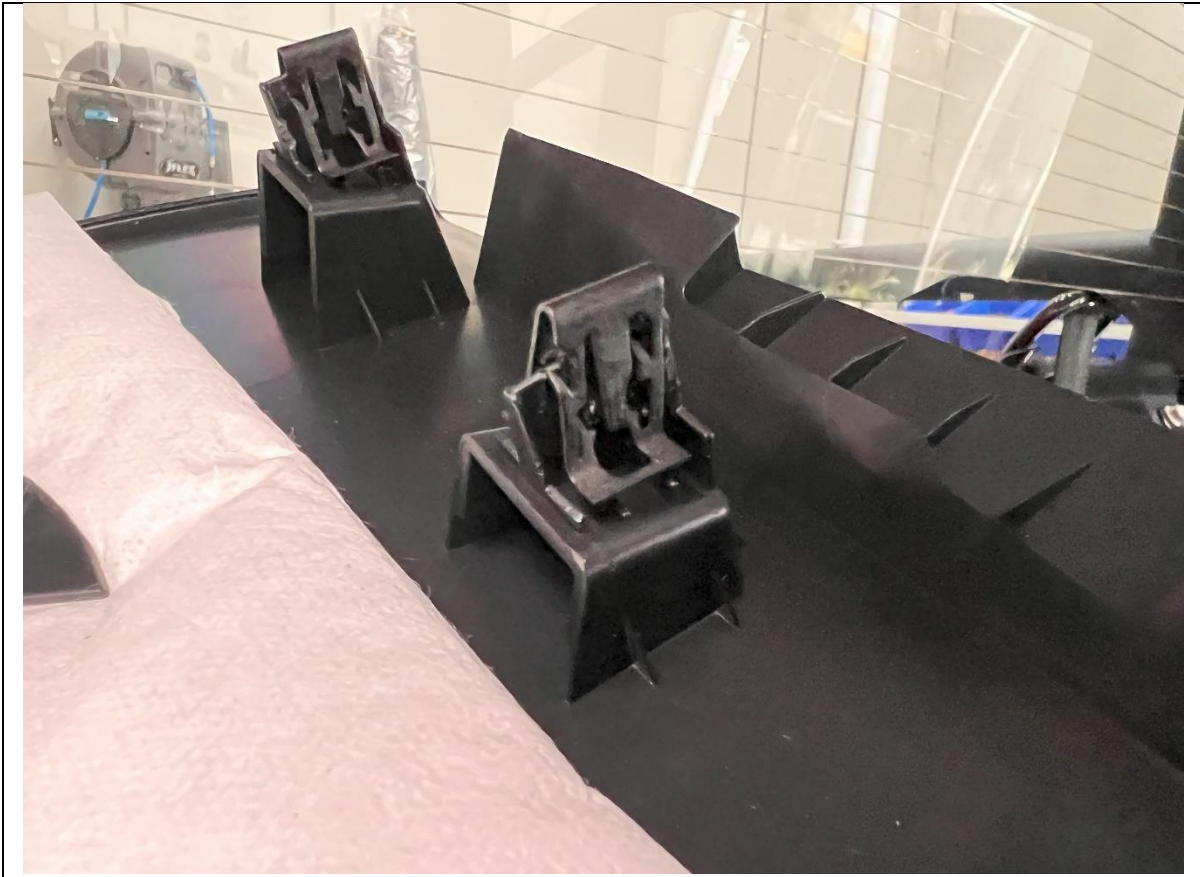


54. Remove the outside upper trim panel by pulling from the top and working your way down.
55. Repeat for the other side.

**TOOLS REQUIRED**

**FASTENERS**





56. It's very likely that the top 2 metal clips that hold the panel in to the side of the car will come off the panel and stay in the side wall of the vehicle. Remove them from the vehicle and reinstall them back on the panel. You may need plyers to remove them from the side of the vehicle.

**TOOLS REQUIRED**

**Plyers**

**FASTENERS**





- 57. Use a friend to help with this next step.
- 58. Both of you reach in and at the same time pull the headliner down to release it from the magnet. Take extra care not to crease or bend the headliner as it's fragile.

**TOOLS REQUIRED**

**FASTENERS**



- 59. Take extra care around curtain airbags and do not damage them
- 60. Remove nut in the front on the car just behind the curtain airbag near the windscreen with an 8mm socket, repeat for other side
- 61. Remove nut at rear of roof near back wall with 8mm socket, repeat for other side

**TOOLS REQUIRED**  
8mm socket

**FASTENERS**



- 62. Using a plastic trim tool peel rear edge of rubber trim off only up to the stud where you just removed the nut
- 63. Repeat for other side

**TOOLS REQUIRED**  
Plastic Trim tool or screwdriver with rag to protect paintwork

**FASTENERS**



- 64. Place rear bracket on roof as shown and line up rear stud with centre of mounting slot
- 65. Mark 20mm in front of the front edge of bracket

**TOOLS REQUIRED**

**FASTENERS**



- 66. Using side cutters or a box cutter trim the rubber trim at the marked location. Take care not to cut into the roof or damage the paint. Rubber trim does have a metal wire core.
- 67. Scrape all double sided tape in the ditch
- 68. Repeat for other side

**TOOLS REQUIRED**  
Side Cutters or box cutter

**FASTENERS**





69. Replace cut trim piece on roof and line up rear bracket with mounting slot over the hole and measure back on the rubber 15mm back towards the back of the car.
70. Cut the rubber trim at this new location.
71. Repeat for other side.

**TOOLS REQUIRED**

Side Cutters or box cutter

**FASTENERS**



72. Move to the front of the car and using plastic trim tool remove the front edge of the rubber trim up to the stud again like the rear

**TOOLS REQUIRED**  
Plastic Trim tool or screwdriver with rag to protect paintwork

**FASTENERS**



73. Place front bracket as shown above with mounting slot over the hole in the roof.
74. Mark 15-20mm behind the rear most point of bracket and trim rubber trim off at this point
75. Scrape off all double sided tape in the ditch

**TOOLS REQUIRED**  
Side Cutters or box cutter

**FASTENERS**





76. Place a soft blanket over the roof to protect it while lifting the roof rack on.

**TOOLS REQUIRED**

**FASTENERS**



77. Using a cleaning solvent like isopropyl alcohol gives all the exposed ditch areas a good clean.

**TOOLS REQUIRED**

**FASTENERS**



78. Starting at the front RHS of vehicle spread a good quality adhesive silicone around the mounting slot in the ditch.

**TOOLS REQUIRED**  
RTV or Adhesive Silicone

**FASTENERS**



79. Place bracket as shown with M10 x 20 Hex bolt, washer on top and secure underneath with M10 flat washer and nyloc nut. Tighten bolt till it's just tight then back it off so you can move the bracket once the rack is on.
80. Use the 17mm socket to hold the nut and washer on the inside while you thread it on
81. Repeat of other side

**TOOLS REQUIRED**  
16 or 17mm spanner (depending on supplier of bolt) and 17mm socket

**FASTENERS**

2 x M10 x20 Bolt  
4 x M10 Flat washer  
2 x M10 Nyloc nut



82. Repeat steps 78-81 for the rear brackets and fit as shown

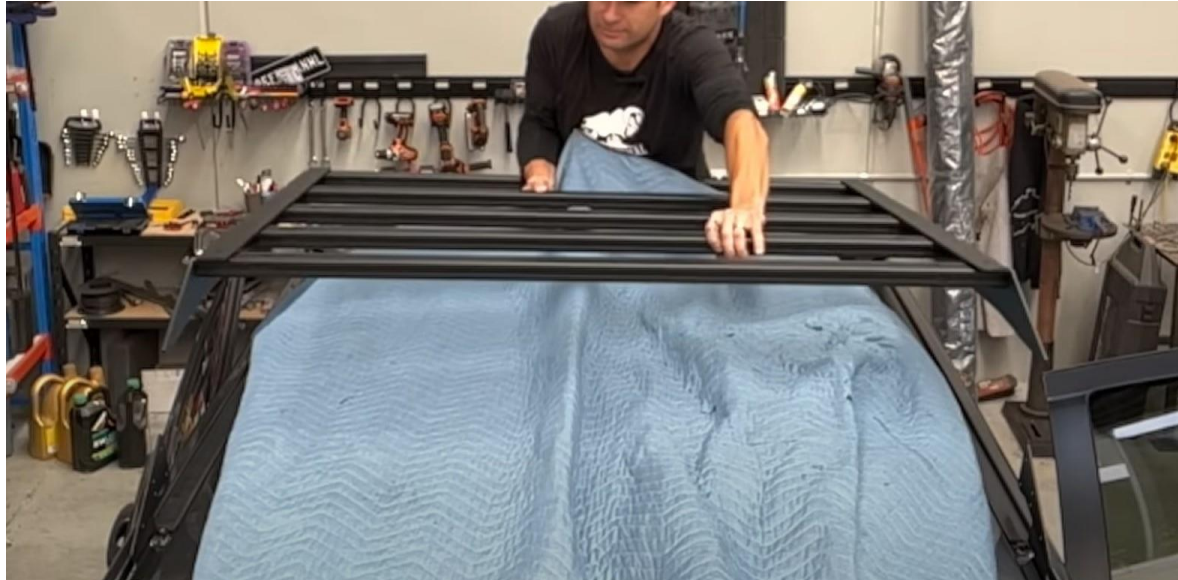
**TOOLS REQUIRED**

RTV or Adhesive Silicone  
16 or 17mm spanner (depending on supplier of bolt) and 17mm socket

**FASTENERS**

2 x M10 x20 Bolt  
4 x M10 Flat washer  
2 x M10 Nyloc nut



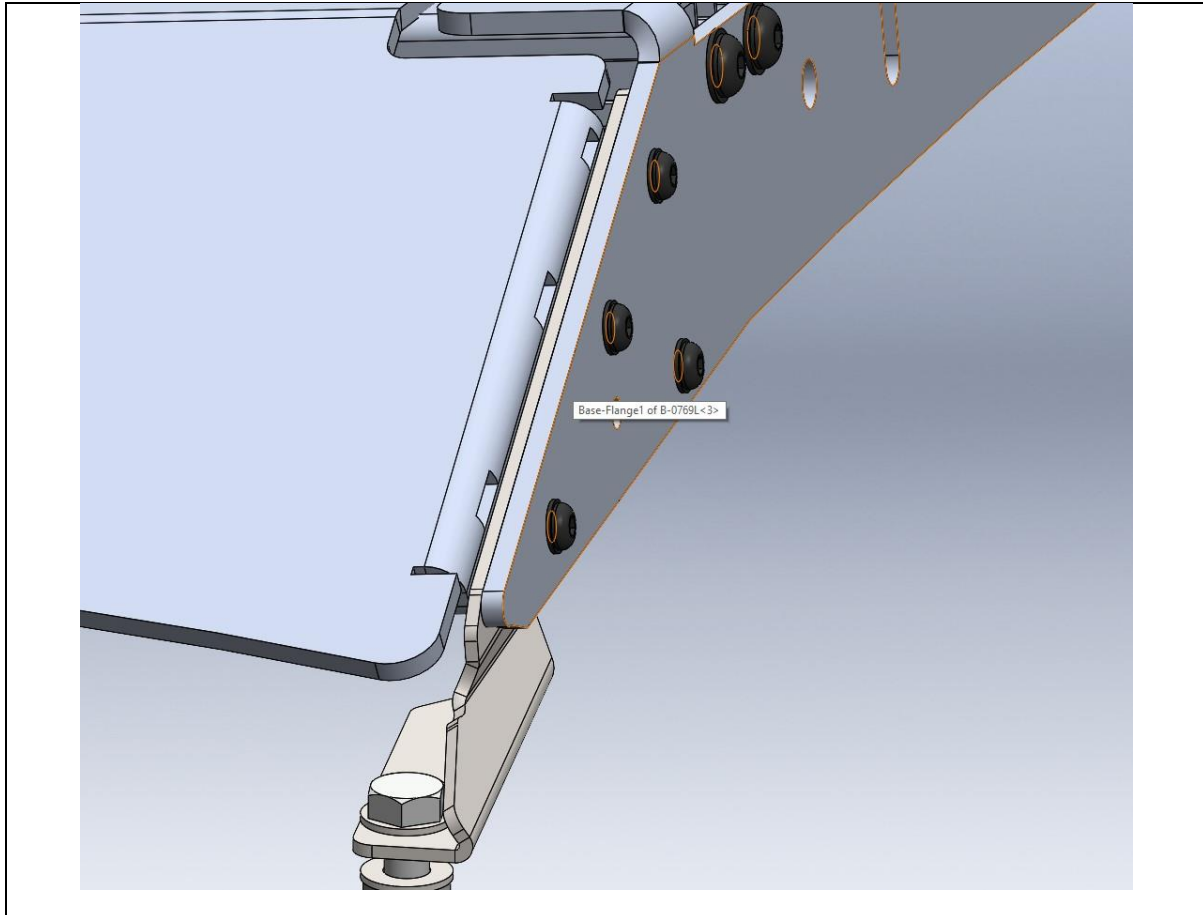


83. Lift the roof rack on the roof and the rack sides go outside the brackets you just mounted.

**TOOLS REQUIRED**

**FASTENERS**



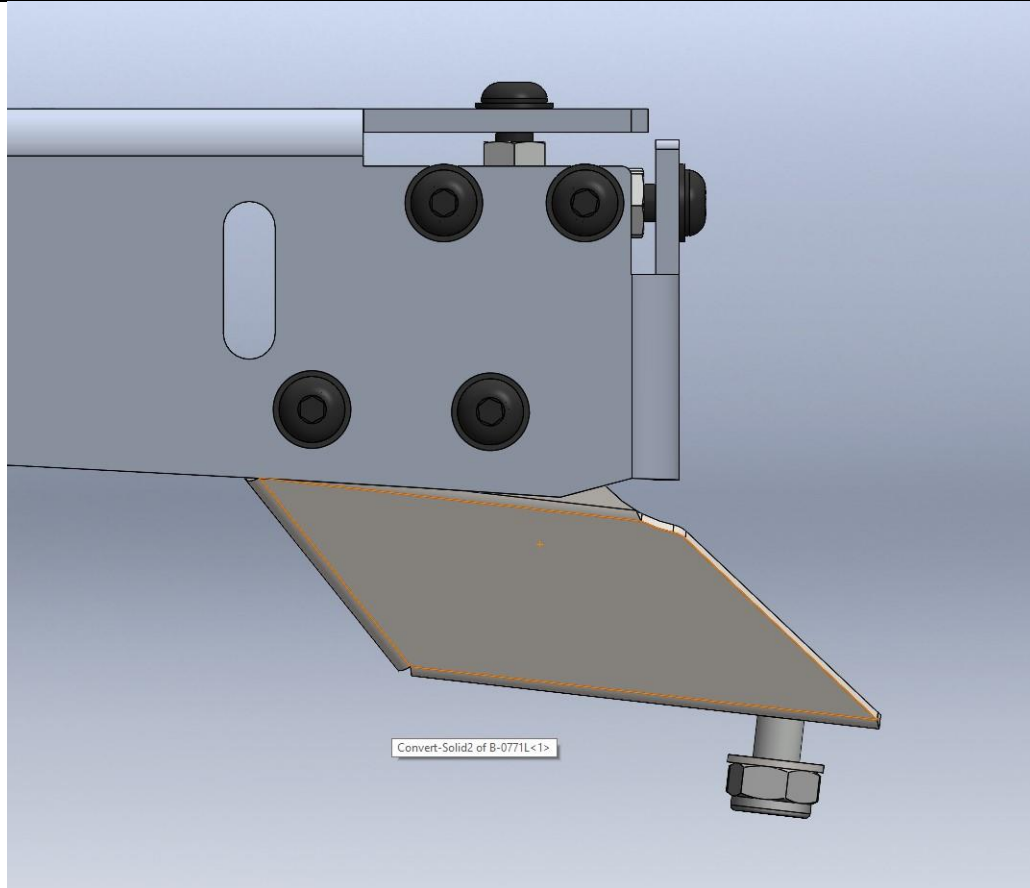


84. As you left all the bolts loose when putting the roof rack together you can now slide the bracket between the wind deflector and the side arm.
85. Secure the wind deflector to the side rails with M6x25 button head bolts, Flat washers, and flange nuts.
86. If you find it tough to get the M6 bolts through the 3 layers loosen the M10 nyloc more so you can push the bolt through all 3 layers.
87. Leave screws hand tight for now.
88. Repeat for other side.

**TOOLS REQUIRED**  
4mm Hex Key

**FASTENERS**

- 8x M6x20 Button head bolt.
- 8x M6 Flat Washer
- 8x M6 Flange Nut



89. Once all the bolts are through the front bracket put 2 x M8x20 Button head cap screws through rear bracket with washers and flange nuts
90. Repeat for other side
91. Once all the bolts are in, you can now go through and torque all the bolts on the roof and roof rack. Make sure you get them all
92. Time to put the roof lining back in
93. Start at step 58 and do these instructions in reverse

**TOOLS REQUIRED**  
**4mm Hex key**  
**5mm Hex key**  
**16 or 17mm spanner**  
**17mm socket**

**FASTENERS**

4 x M8 x 20 BHCS  
 4 X M8 FW  
 4 X M8 FN



94. Lucky last step, make sure you put on the logo plates on bad luck will befall you for the next year

**TOOLS REQUIRED**

**FASTENERS**



95. You're done, go out and enjoy your Roof rack

**For contact details see [www.offroadanimal.com.au](http://www.offroadanimal.com.au)**