

## TOYOTA LANDCRUISER 200 SERIES 2007-2021 SCOUT ROOF RACK

### IMPORTANT! – READ BEFORE INSTALLATION

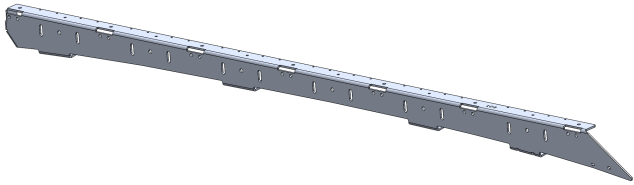
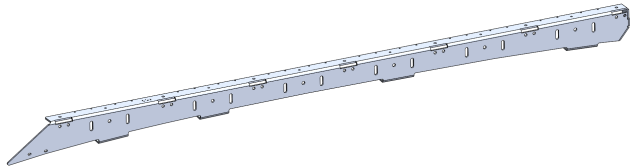
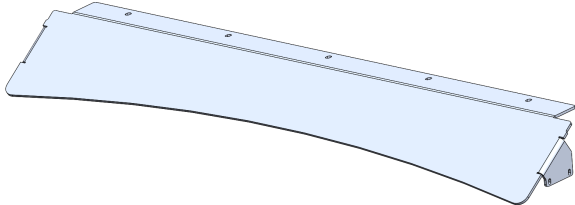
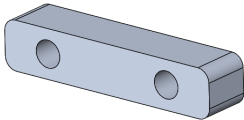
**Rated to 200kg dynamic driving - Rack weight is 28kg - Offroad Rating is 133kg so minus the 28kg rack means you're allowed to put 105kg up there**

- This product must be installed exactly as per these instructions using only hardware supplied.
- Take a few moments to read instructions thoroughly before beginning work.
- In the event of damage to any bar component please contact OFFROAD ANIMAL to arrange repair/replacement of components.
- Do not use this product for any vehicle make or model other than that specified on these instructions.
- Do not remove labels from this product.
- This product and its fixings must not be modified in any way unless stated in these fitting instructions.
- The installation of this product is recommended for trained personnel.
- These instructions are correct at time of publication. OFFROAD ANIMAL cannot be held responsible for the impact of any changes subsequently made by the vehicle manufacturer. If you find something has changed please contact us to let us know!
- During installation it is the duty of the installer to check correct operation/clearances of all components.
- If Instructions are to be printed for reference in the workshop, it is recommended that they are printed in colour, for best legibility.

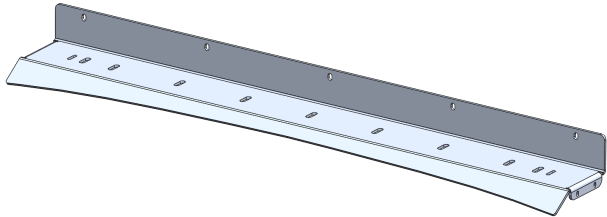
# PARTS LISTING

**IMPORTANT:** Check all parts are present before beginning work! Contact OFFROAD ANIMAL if something is missing.

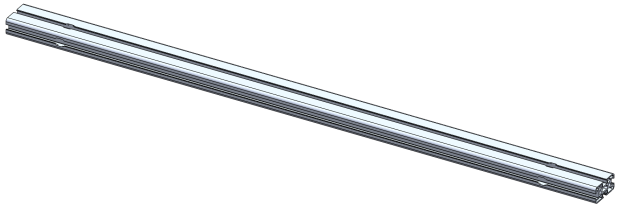
## Main Parts – In the Box

Qty	Part Number	Description	Image
1	B-0887R	LC200 Scout Rack Side RH	
1	B-0887L	LC200 Scout Rack Side LH	
1	B-0888	LC200 Wind Deflector	
1	P-0302	LC200 Scout Roof Rack - Mount Spacer Plate	

## Optional Light Bar Kit – Purchased Separately

Qty	Part Number	Description	Image
1	B-0698	Toyota LC300 - Scout Rack Light Bar Wind Deflector	

## Cross Bar Kit

Qty	Part Number	Description	Image
7	E-0005-1250	Scout Roof Rack – Cross Bar Extrusion 1250MM	

### Small Parts – Contained in Small Parts Kit Bag

Qty	Part Number	Description
19	M8 NUT	Hex Nut, M8x1.25 G8.8 ZP
47	M8 HD FLAT WASHER - BZP	M8 FLAT WASHER - High Tensile 19x8x2mm, ISO4042 ZnNi BLACK PASSIVATED FINISH
19	M8 X 16 BHCS BZP	SCREW, BUTTON HEAD CAP, M8X16X1.25 GR12.9, ISO4042 ZnNi BLACK PASSIVATED FINISH
28	M8 X 20 BHCS BLACK ZINC	SCREW, BUTTON HEAD CAP, M8X20X1.25, ISO4042 ZnNi BLACK PASSIVATED FINISH
8	M8X50 HEX	Bolt Hex, M8X50X1.25, GR8.8 ZP
4	M6x20 BHCS BLACK ZINC	SCREW, BUTTON HEAD CAP, M6X20X1 GR12.9, ISO4042 ZnNi BLACK PASSIVATED FINISH
4	M6 FLAT WASHER BLACK ZINC	M6 Flat Washer, 12x6.1x1, ISO4042 ZnNi BLACK PASSIVATED FINISH
4	M6 FLANGE NUT	Flange Nut, M6x1 G8.8 ZP
2	OFA-LOGO	OFFROAD ANIMAL METAL LOGO


# TOOLS REQUIRED

The following tools will be required to install the product.

<b>Hand Tools</b>	<b>Power Tools</b>	<b>Workshop Equipment</b>
Metric Socket Set 8-19mm		Soft Blanket
Socket Extension Bar		Rag
Metric Spanner Set 10-19mm		Isopropyl Alcohol
Hex (Allen) Key Set 4-6mm		Automotive grade sealant (eg. SikaFlex silicone adhesive)
Trim Removal Tool/s		
Flat Head Screwdriver		

# WORKSHOP SAFETY

It is the responsibility of the installer to always complete works in a safe manner. Make sure the following safety equipment is available and precautions are observed whilst fitting this product.

<p>Hearing Protection</p> 	<p>Always wear ear protection when using power tools.</p>
<p>Eye Protection</p> 	<p>Ensure eye protection is always worn when cutting or drilling.</p>
<p>Manual Handling</p> 	<p>Do not attempt to lift bar assemblies or rock sliders on your own.</p> <p>Always use two people to lift or use mechanical Lifting aid such as hydraulic lifting trolley.</p>
<p>Vehicle Support</p> 	<p>Always ensure vehicle is properly supported when working on it. Do not attempt to fit products whilst suspension work is being carried out. Do not work under a vehicle supported only by a jack.</p>



1. If your vehicle has factory roof rails, these will need to be removed.

**TOOLS REQUIRED**

**FASTENERS**



2. Using a rag covered screwdriver or trim tool, release the clips securing the front roof rail cover.
3. Remove the front cover and repeat the same process for the rear cover.

**TOOLS REQUIRED**

Trim tool  
OR  
Flat head screwdriver  
Rag

**FASTENERS**



4. Using a rag covered screwdriver or trim tool, lever the centre cover off the rail from one of the inside edges.
5. Pull outwards to remove the centre cover.
6. Remove the 12mm head bolt securing the roof rail to the centre rail bracket.

**TOOLS REQUIRED**

Trim tool  
OR  
Flat head screwdriver  
Rag

12mm socket/spanner

**FASTENERS**





- Remove the 4x 12mm head bolts securing the front and rear of the roof rail to the roof.

Take care to remove the bolts progressively in pairs (not one-by-one) so that the captive nutplate inside the roof doesn't dislodge and fall out. If it does then the headliner needs to be removed to retrieve it.

Retain the fasteners for later use.

**TOOLS REQUIRED**

12mm socket/spanner

**FASTENERS**

4x Factory 12mm head bolt (do not discard)



8. Remove the roof rail from the vehicle roof.
  9. Remove the 2x 12mm head bolts securing the centre rail bracket to the roof.
- Again, take care to remove the bolts progressively in pairs.
- Retain the fasteners for later use.

**TOOLS REQUIRED**

12mm socket/spanner

**FASTENERS**



10. This applies to all vehicles, regardless of whether they have factory fitted rails or not. Remove the plastic trim/s by pushing in the direction of the arrows shown and lifting it off the roof.
11. Remove the 2x 12mm head bolts securing the placeholder rail bracket to the roof.  
  
Again, take care to remove the bolts progressively in pairs.  
  
Retain the fasteners for later use.
12. Repeat steps 2-11 for the other side of the vehicle.

**TOOLS REQUIRED**

12mm socket/spanner

**FASTENERS**



- 13. Clean the areas surrounding the mounting points in all 8x spots on the roof with a rag and isopropyl alcohol or other cleaning solvent.
- 14. Take care not to push down on the yellow protruding plastic nut guides.

**TOOLS REQUIRED**

- Rag
- Isopropyl alcohol

**FASTENERS**

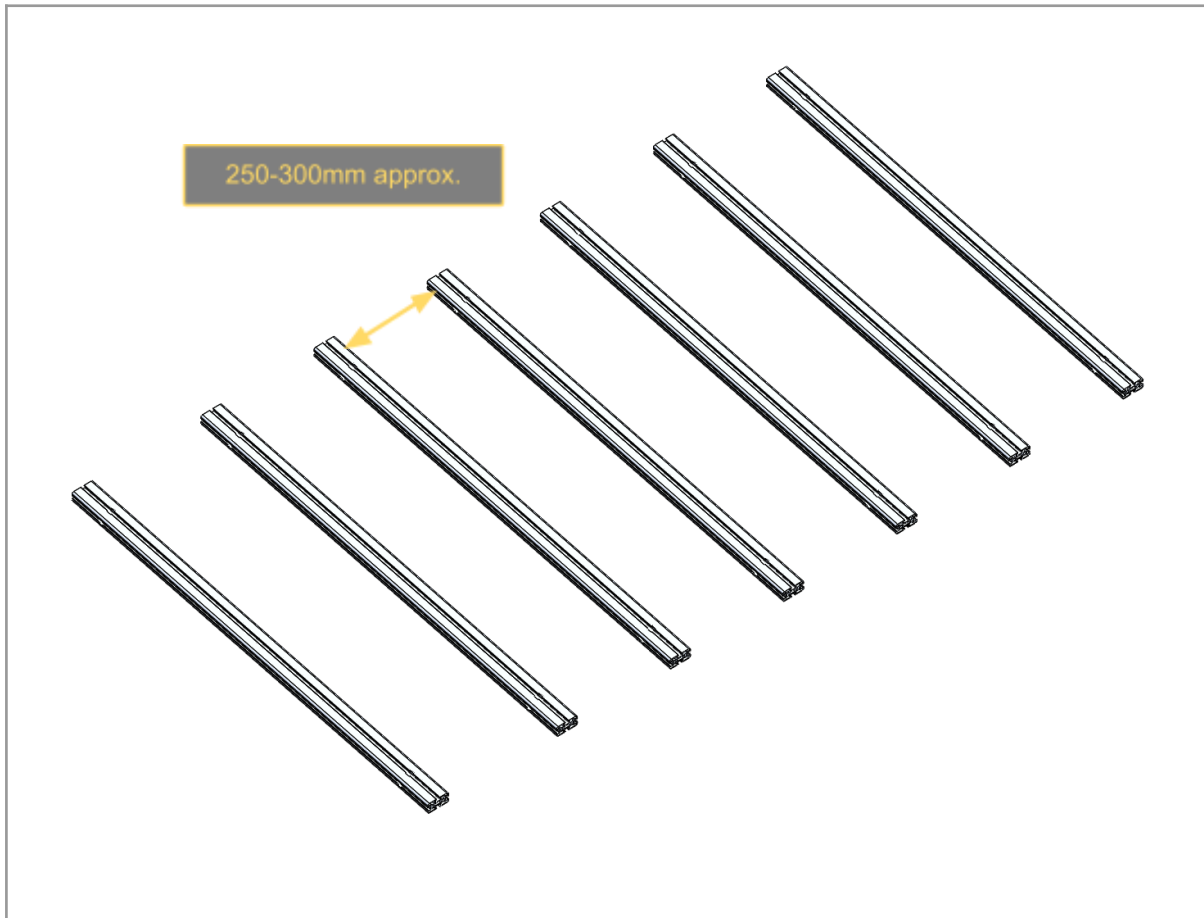


15. Apply a bead of sealant around the holes and along the bottom of the mount plates as shown in the image above.
16. Place the mount points onto the loof, locating over the yellow protruding plastic nut guides.

**TOOLS REQUIRED**

Automotive grade sealant

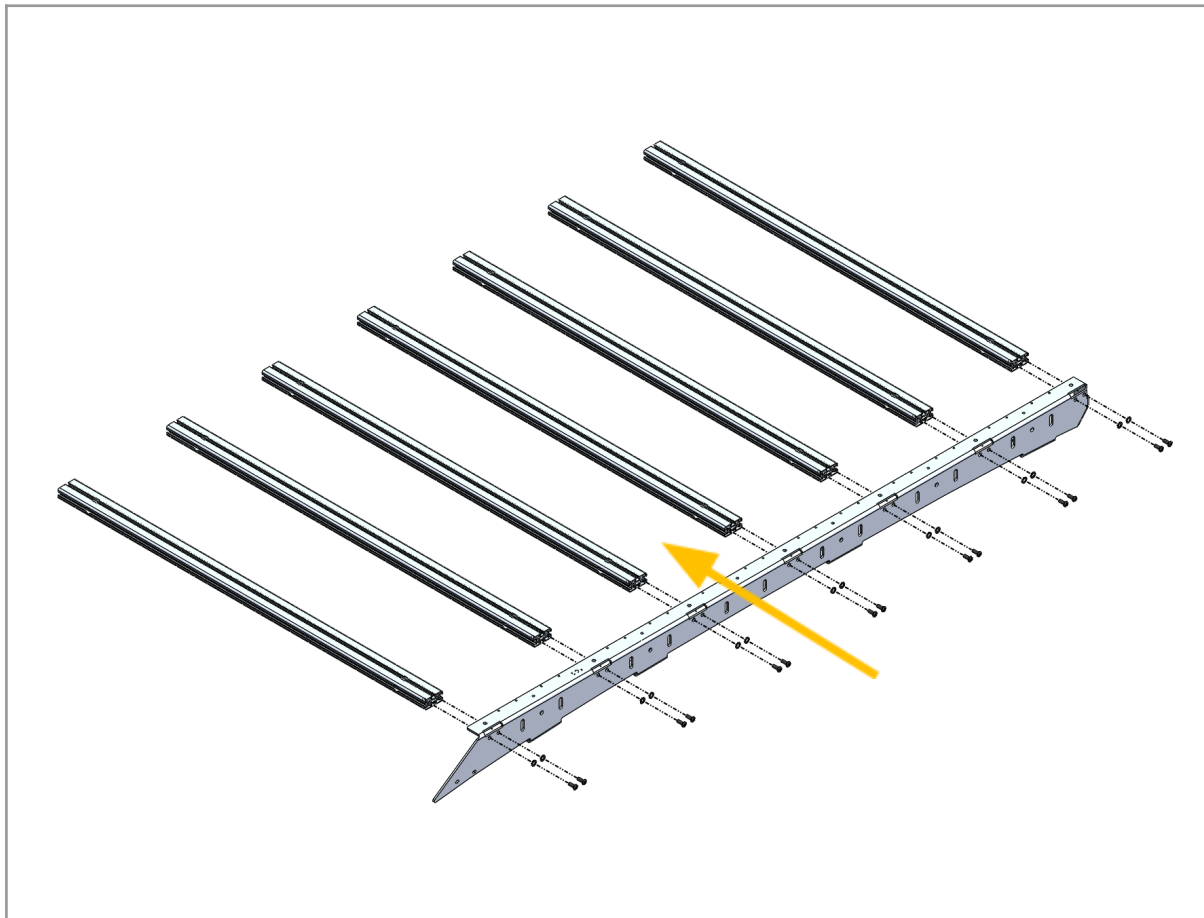
**FASTENERS**



17. Assemble the roof rack. Start by setting out the 7x cross bar extrusions on a table/open space. Position them so that they sit approximately 250-300mm apart (inside face to inside face).

**TOOLS REQUIRED**

**FASTENERS**



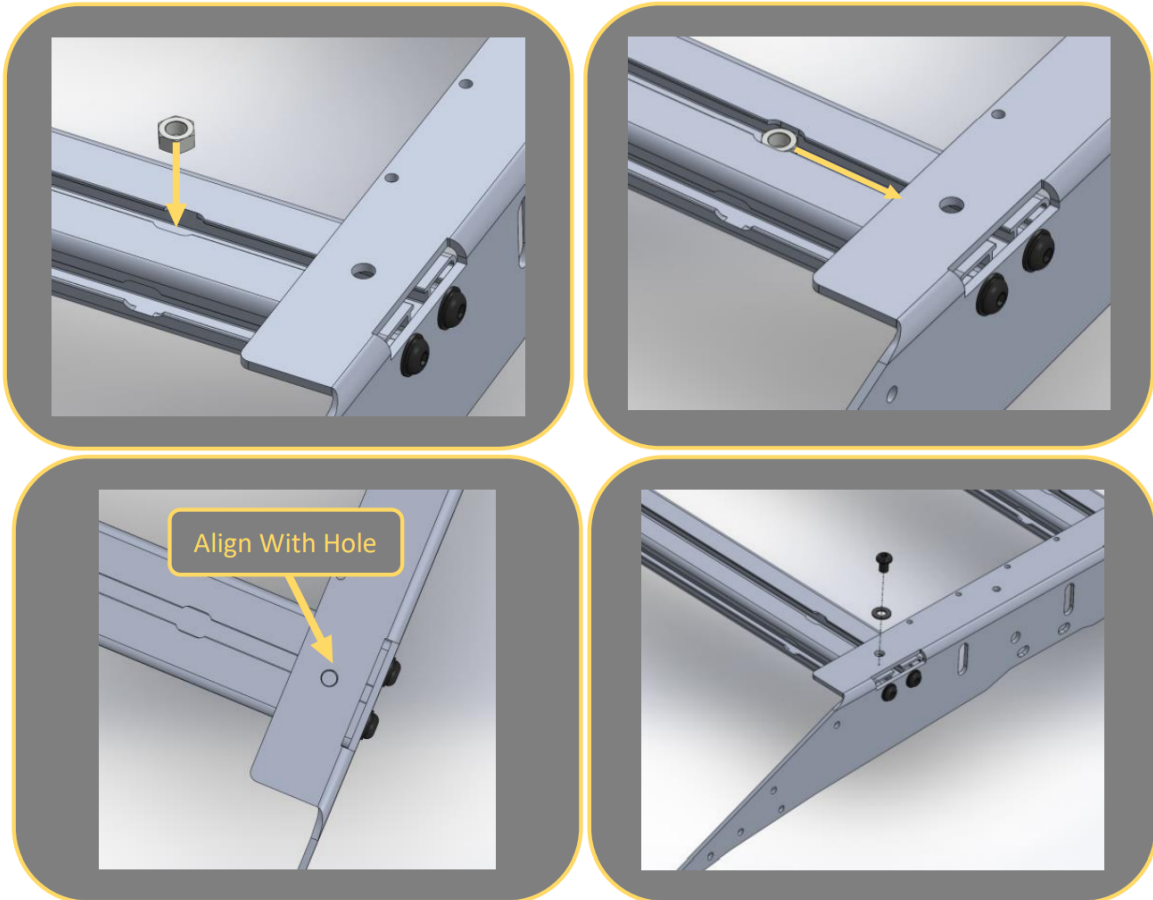
- 18. Fit the rack side plate to the extrusion.  
  
This is easiest to do when the ends of the extrusion are overhanging an edge of a table/workbench.
- 19. Secure with M8x20mm button head bolts and M8 flat washers as shown. Do not fully tighten at this stage.
- 20. Also complete for the other rack side plate.

**TOOLS REQUIRED**

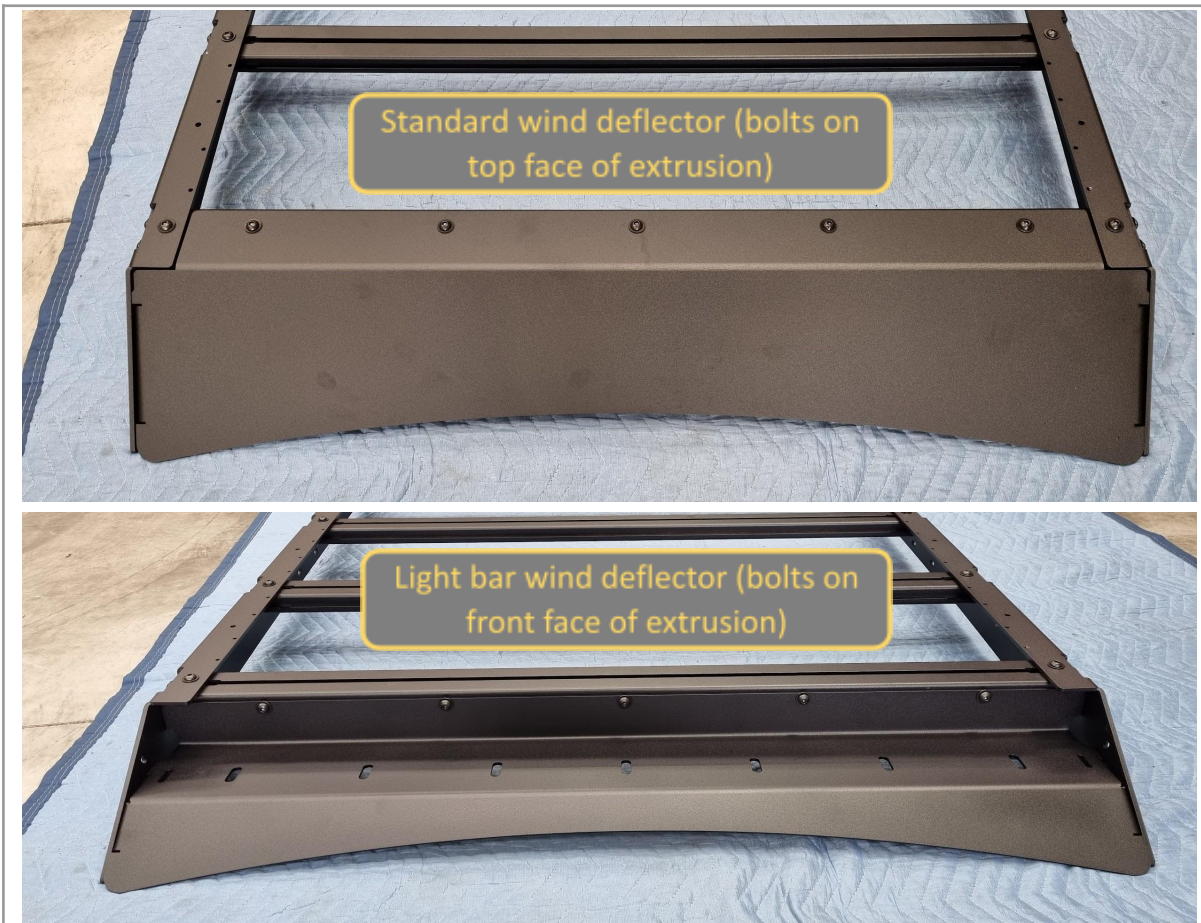
5mm hex/Allen key

**FASTENERS**

28x M8x20 button head  
28x M8 flat washer

	
<ol style="list-style-type: none"> <li>21. Insert 1x M8 hex nut into each end of the extrusion slot for securing the top face of the rack side plate.</li> <li>22. Drop the nut into the slot in the extrusion, then slide the nut along the slot and align it with the hole in the top of the side plate.</li> <li>23. Secure with M8x16mm button head bolt and washer. Do not fully tighten at this stage.</li> <li>24. Complete steps for the other side of the rack assembly.</li> </ol>	<p><b>TOOLS REQUIRED</b></p> <p>5mm hex/Allen key</p> <hr/> <p><b>FASTENERS</b></p> <p>14x M8x16 button head 14x M8 flat washer 14x M8 hex nut</p>





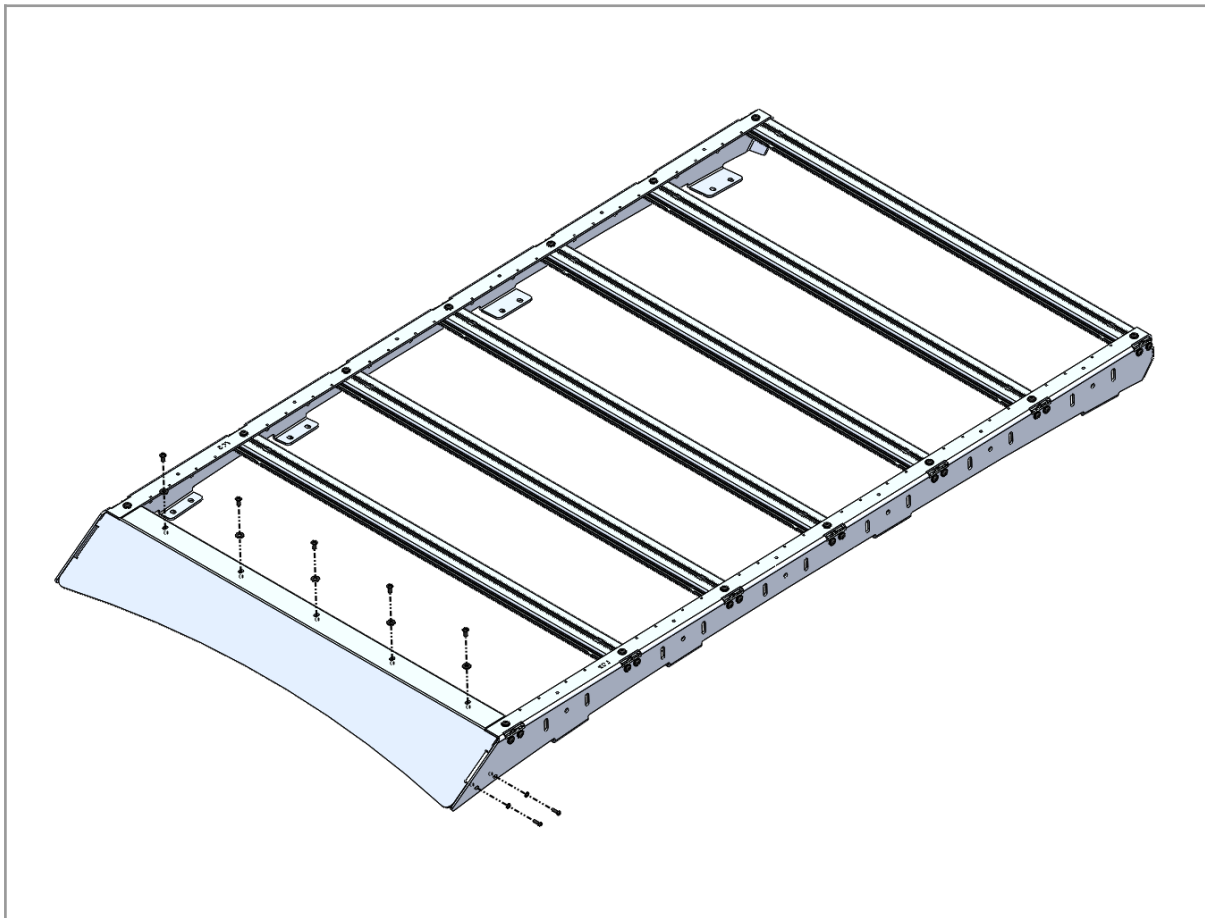
25. Fit your wind deflector of choice.
26. For the standard wind deflector, insert 5x M8 nuts into the top T-slot of the forward-most extrusion, evenly spaced.
27. For the optional light bar wind deflector, insert 5x M8 nuts into the front facing T-slot of the forward-most extrusion, evenly spaced.
28. Secure your wind deflector to the extrusion with 5x M8x16 button head bolts and black washers. Do not fully tighten.

**TOOLS REQUIRED**

5mm hex (Allen) key

**FASTENERS**

5x M8x16 button head  
5x M8 flat washer  
5x M8 nut



- 29. Secure your wind deflector to the rack sides with 4x M6x20 button head bolts, washers and flange nuts (2x per side).
- 30. If required, fit the light bar onto the light bar wind deflector now.
- 31. At this stage, leave all bolts on the roof rack loose.

**TOOLS REQUIRED**

- 4mm hex (Allen) key
- 10mm socket/spanner

**FASTENERS**

- 4x M6x20 button head
- 4x M6 flat washer
- 4x M6 flange nut



32. Place a soft blanket on the roof in between the roof channels to protect the paintwork while the roof rack is installed.

**TOOLS REQUIRED**

Soft blanket

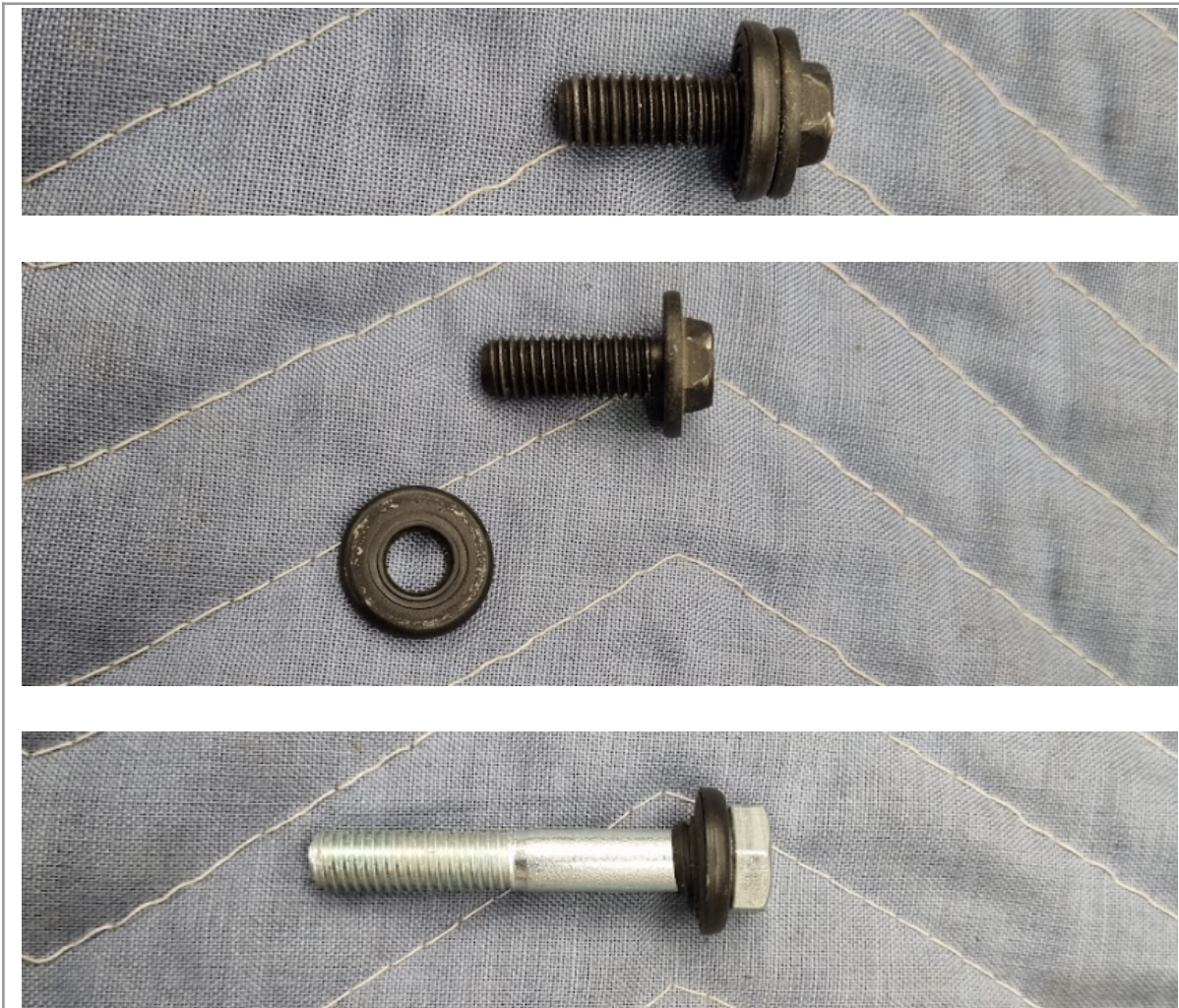
**FASTENERS**



33. With your mate's assistance, lift and place the roof rack onto the roof. Position the rack such that the mounting slots on the rack sides align with the holes on the previously installed mounting plates.

**TOOLS REQUIRED**

**FASTENERS**

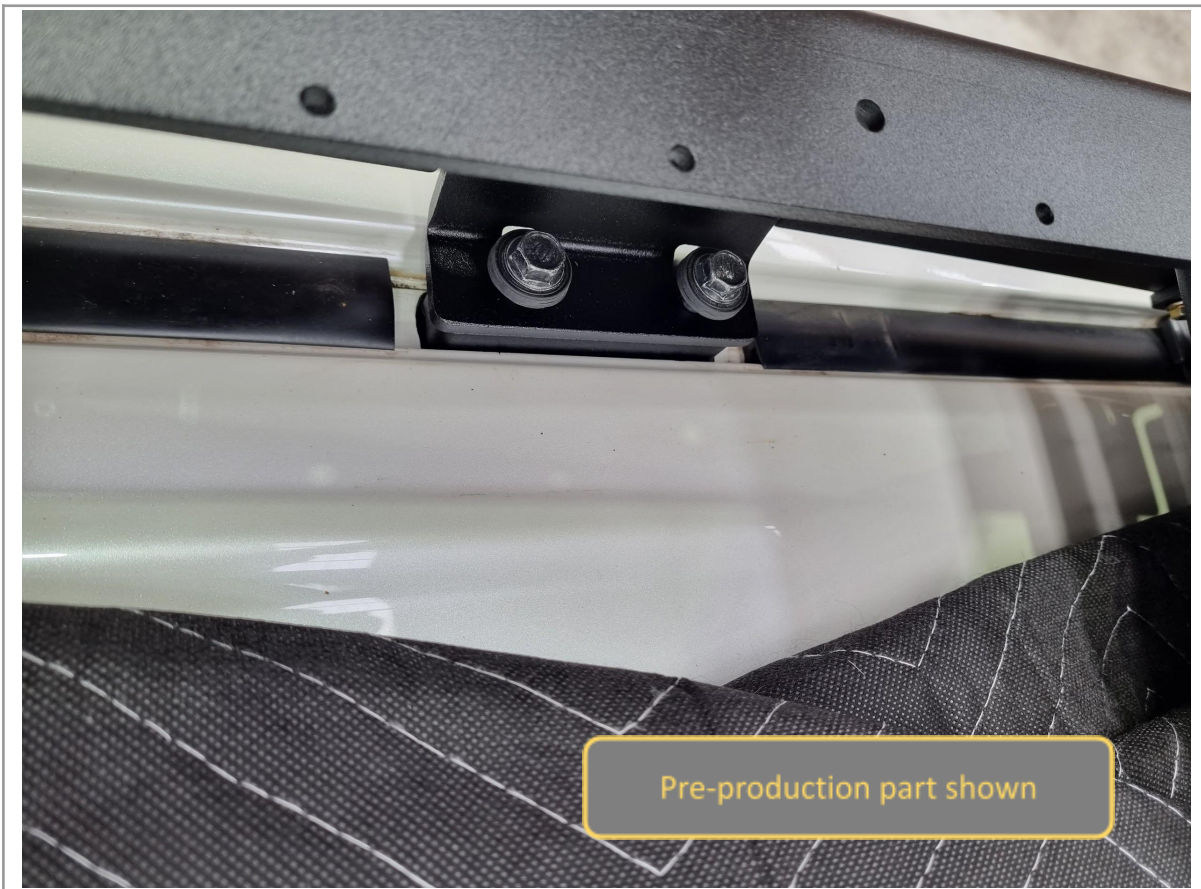


- 34. Remove the rubber sealing washers and rings from the 8x short (approx. 25mm) factory fasteners.
- 35. Fit the rubber seals onto the supplied 8x M8x50mm hex bolts.

**TOOLS REQUIRED**

**FASTENERS**

8x M8x50 hex bolt



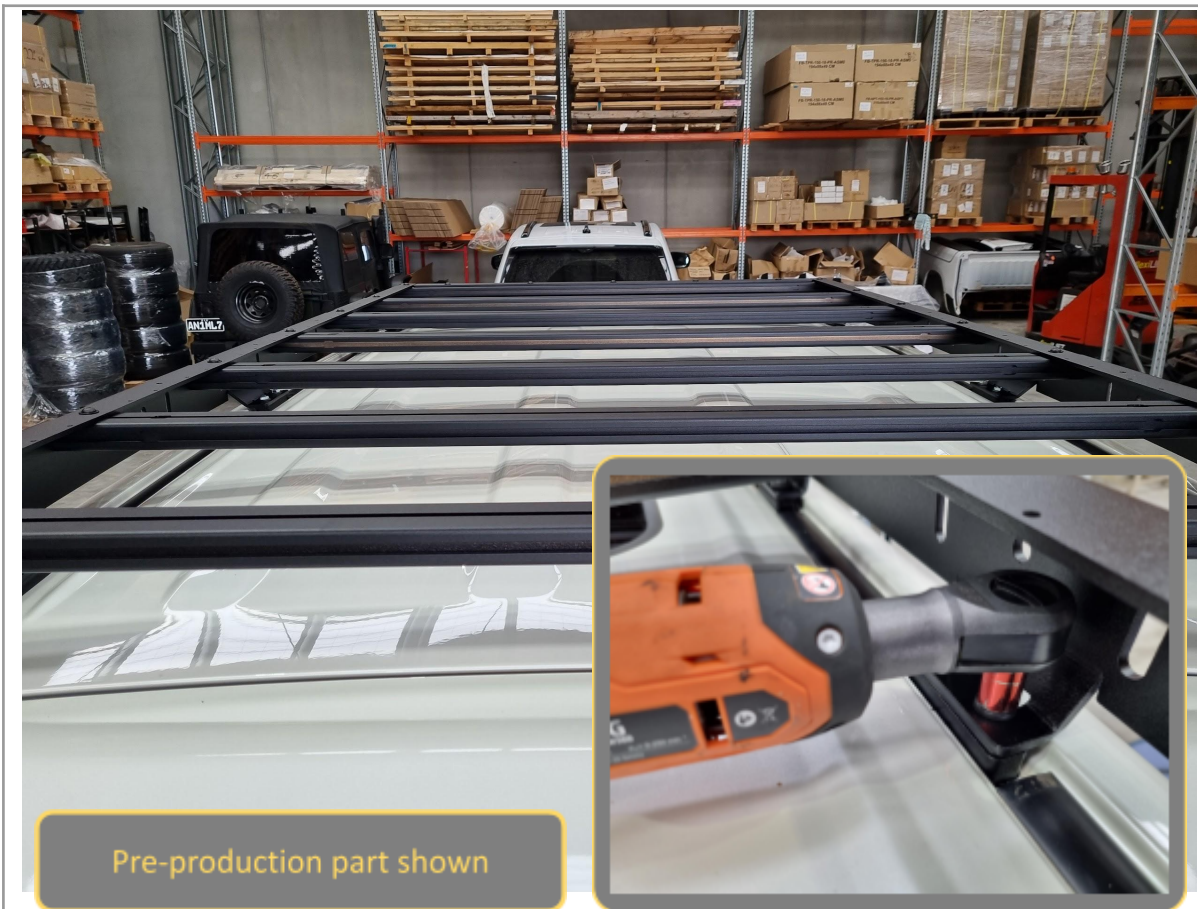
36. Loosely secure the roof rack to the roof with the long rubber sealed factory fasteners and supplied M8x50 hex bolts from the previous step.

**TOOLS REQUIRED**

12mm socket/spanner  
13mm socket/spanner

**FASTENERS**

8x long factory fasteners  
8x M8x50 hex bolt



Pre-production part shown

- 37. Align the roof rack so that it is centred left-to-right on the roof.
- 38. Once happy with alignment, torque all bolts holding the rack to the roof, and all button head bolts holding the extrusion together on the rack.

**TOOLS REQUIRED**

- 12mm socket/spanner
- 13mm socket/spanner
- 4/5/6mm hex/Allen key

**FASTENERS**



39. Lucky last step, make sure you put on the logo plates or bad luck will befall you for the next year.

**TOOLS REQUIRED**

**FASTENERS**





40. You're done! Go out bush and enjoy carrying all your gear on our light weight, low profile and quiet Scout Roof Rack.

**TOOLS REQUIRED**

**FASTENERS**